

Copeland Scroll™

ZX Condensing Unit for Refrigeration Applications



Product Catalog

Copeland Scroll™


EMERSON™
Climate Technologies

About Emerson Climate Technologies

Emerson Climate Technologies, a business segment of Emerson, is the world's leading provider of heating, air conditioning and refrigeration solutions for residential, industrial and commercial applications. The group combines best-in-class technology with proven engineering, design, distribution, educational and monitoring services to provide customized, integrated climate-control solutions for customers worldwide. Emerson Climate Technologies' innovative solutions, which include industry-leading brands such as Copeland Scroll and White-Rodgers™, improve human comfort, safeguard food, and protect the environment. For more information, visit EmersonClimateAsia.com.

Our Vision:

Emerson Climate Technologies, With Our Partners,
Will Provide Global Solutions To Improve Human Comfort,
Safeguard Food And Protect The Environment.

Emerson Climate Technologies is pleased to offer the ZX platform refrigeration condensing units (CDU) specifically designed for medium temperature (ZX-MT & ZXB-MT), digital modulated variable capacity medium temperature (ZXD) and low temperature (ZXL-LT) refrigeration.

ZX series CDU has been highly successful in the Asian market and enjoys proven success with its energy savings and customer-friendly electronic features.



Table of Contents

Features and Benefits	04
Nomenclature	05
Bill of Material	05
CoreSense™ for ZX Platform Condensing Unit	06
Operating Envelopes	
ZX Family: Medium Temperature	07
ZXB Family: Medium Temperature	07
ZXD Family: Digital Medium Temperature	07
ZXL Family: Low Temperature	08
Performance Data	
ZX Family: Medium Temperature - R22	09
ZX Family: Medium Temperature - R404A	11
ZX Family: Medium Temperature - R407F	13
ZXB Family: Medium Temperature - R134a	16
ZXD Family: Digital Medium Temperature - R22	17
ZXD Family: Digital Medium Temperature - R404A	19
ZXD Family: Medium Temperature - R407F	21
ZXL Family: Low Temperature - R22	23
ZXL Family: Low Temperature - R404A	26
ZXL Family: Low Temperature - R407F	29
Technical Data	
ZX Family: Medium Temperature at 50 Hz - PFJ	32
ZX Family: Medium Temperature at 50 Hz - TFD	33
ZX Family: Medium Temperature at 60 Hz - TF5/TF7	34
ZXB Family: Medium Temperature at 50 Hz - TFD	35
ZXB Family: Medium Temperature at 60 Hz - TF5/TF7	36
ZXD Family: Digital Medium Temperature at 50 Hz - TFD	37
ZXD Family: Digital Medium Temperature at 60 Hz - TF5/TF7	38
ZXL Family: Low Temperature at 50 Hz - PFJ	39
ZXL Family: Low Temperature at 50 Hz - TFD	40
ZXL Family: Low Temperature at 60 Hz - TF5/TF7	41
Dimensional Drawings	42
Packing Information	43
Conversion Chart	43
Pressure Temperature Chart at Sea Level	44
Contact Lists	48

ZX Platform Condensing Unit was designed based on three factors demanded by industry users:

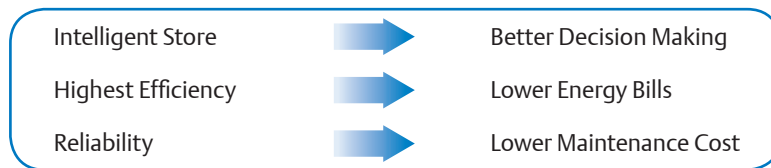
Intelligent Store Solutions - A most innovative approach to enterprise facility management, Emerson's Intelligent Store™ architecture integrates hardware and services to provide retailers a single view into their entire network of facilities and understanding what facilities actually cost to operate and maintain.

The Intelligent Store architecture transforms data from store equipment and controls into actionable insights. Designed to deliver value in both new and existing stores, Emerson aims to help retailers:

- Make better decisions on resources investment for maximum impact
- Receive accurate feedback and service customized to meet your specific needs
- Reduce operational costs and boost the profitability

Energy Efficiency - Utilizing Copeland Scroll™ compressor technology, variable speed fan motor, large capacity condenser coil and advanced control algorithms, energy consumption is significantly reduced. End-users can save more than 20% on annual energy costs compared to using hermetic reciprocating units.

Reliability - Combining the proven reliability of Copeland Scroll compressors with advanced electronics controller and diagnostics, equipment reliability is greatly enhanced. Fault code alerts and fault code retrieval capabilities provide information to help improve speed and accuracy of system diagnostics. Integrated electronics provide protection against over-current, overheating, incorrect phase rotation, compressor cycling, high pressure resets and low pressure cut-outs. It can also send out a warning message to the operator when there is liquid floodback, which can prevent critical damage to the unit.



Variable Speed Fan Motor and High Efficiency Fan Blade

Optimized Condenser Coil for Maximum Heat Transfer



ZX, ZXB and ZXL Family

Proprietary electronic algorithms present advantages for diagnostic, communication and protection. They are also essential to controlling fan speed, optimizing energy performance for local seasonal ambient temperatures.

ZXD Family

Capacity modulation for precise control of room temperature and humidity

Design Features:

- Real time monitoring of compressor operating conditions
- Compressor Reverse Rotation
- Compressor Overcurrent
- Compressor Internal Motor Protector Trip
- Discharge Gas Overheat
- Overvoltage
- Undervoltage
- High Pressure Cut Out
- Low Pressure Cut Out (only on MT series)
- Refrigerant Floodback
- Compressor Minimum Off Time
- Internal Thermal Sensor Failure
- Intelligent Store Solution: Communication and Retail Store Monitoring

Copeland Scroll Compressor Technology - High Efficiency, Ultra Quiet, High Reliability

Figure 1. ZX Platform CDU Features

Features	Owner/Enterprise Benefits
Intelligent Store Solution	<ul style="list-style-type: none"> • Retail store monitoring • Enhanced energy savings • High-end food safety through real time monitoring
Energy Saving	<ul style="list-style-type: none"> • Lower operating costs
Diagnostic protection capabilities	<ul style="list-style-type: none"> • Greatly reduces the chance of nuisance service calls • Extends the life of your equipment • Reduces potential service costs • Keeps equipment operating at their original performance levels to ensure optimum energy efficiency and temperature control • Serves as a guide to what the contractor needs to fix in case of malfunction
Slim profile, lighter weight and optional wall mount capability	<ul style="list-style-type: none"> • Lower installation costs • Enhances the appearance of your enterprise site • Avoids more costly solutions arising from potential location issues
Sound improvement	<ul style="list-style-type: none"> • Creates a more comfortable environment for guests • Beneficial for regions with noise ordinances

Nomenclature

ZX	L	020	B	E	-	TFD	-	451
Unit Family	Blank = Medium Temp B = R134a Medium Temp L = Low Temp D = Digital Medium Temp	2.0 to 7.6 HP	Generation	E = Ester Oil O = Mineral Oil		PFJ = 220V/240V - 1ph - 50 Hz TFD = 380V/420V - 3ph - 50 Hz TF5 = 200V/230V - 3ph - 60 Hz TF7 = 380 - 3ph - 60 Hz		Bill of Material
Base Model						Electrical Code		Bill of Material

Bill of Material

CDU Family	ZX			ZXB			ZXL				ZXD	
	401	451	481	401	451	461	451	461	471	481	451	461
Liquid Line Filter Dryer	✓	✓	✓	✓	✓	✓	✓	✓	✓	✓	✓	✓
Sight Glass	✓	✓	✓	✓	✓	✓	✓	✓	✓	✓	✓	✓
Oil Separator		✓	✓		✓	✓	✓	✓	✓	✓	✓	✓
Accumulator							✓	✓	✓	✓		
Adjustable LP Switch	✓	✓	✓	✓	✓	✓	✓	✓	✓	✓		✓
Fixed HP Switch	✓	✓	✓	✓	✓	✓	✓	✓	✓	✓	✓	✓
Fixed LP Switch	✓	✓									✓	✓
CoreSense™	✓	✓	✓	✓	✓	✓	✓	✓	✓	✓	✓	✓
Intelligent Store Solution Module	✓	✓	✓	✓	✓	✓	✓	✓	✓	✓	✓	✓
Fan Speed Controller	✓	✓	✓	✓	✓	✓	✓	✓	✓	✓	✓	✓
Circuit Breaker	✓	✓	✓	✓	✓	✓	✓	✓	✓	✓	✓	✓
Sound Jacket	✓	✓	✓	✓	✓	✓	✓	✓	✓	✓	✓	✓
Low Ambient Kit			✓							✓		
Filter Drier									ACC			

Note: ACC-Accessory
BOM:
4xx - Chassis with door
5xx - Chassis without door

CoreSense™ for ZX Platform Condensing Unit

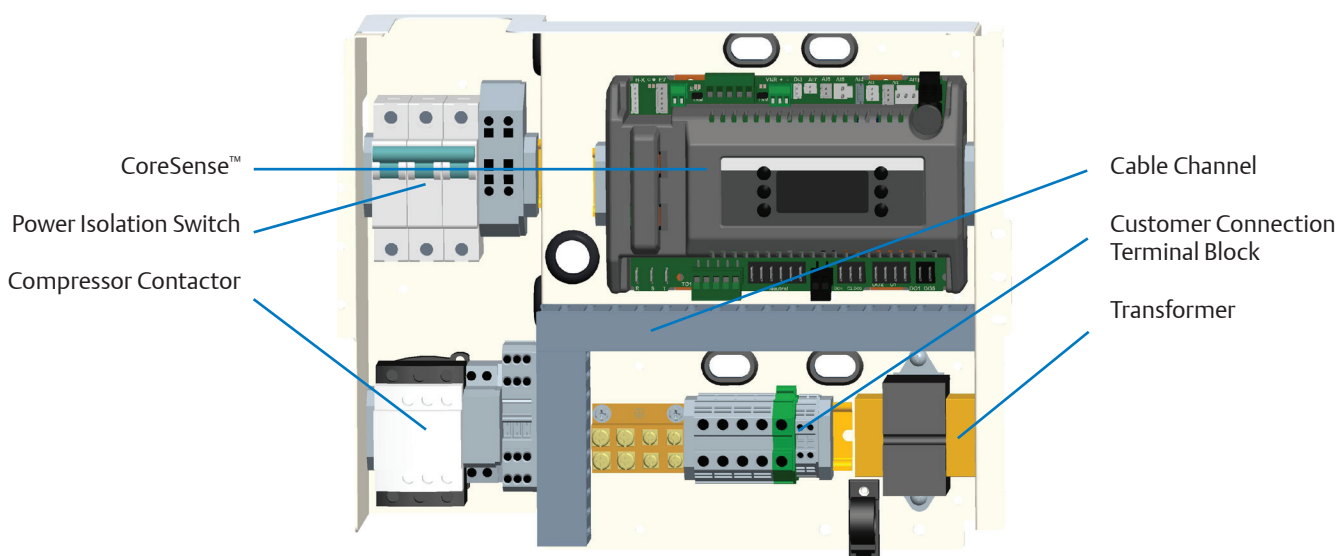
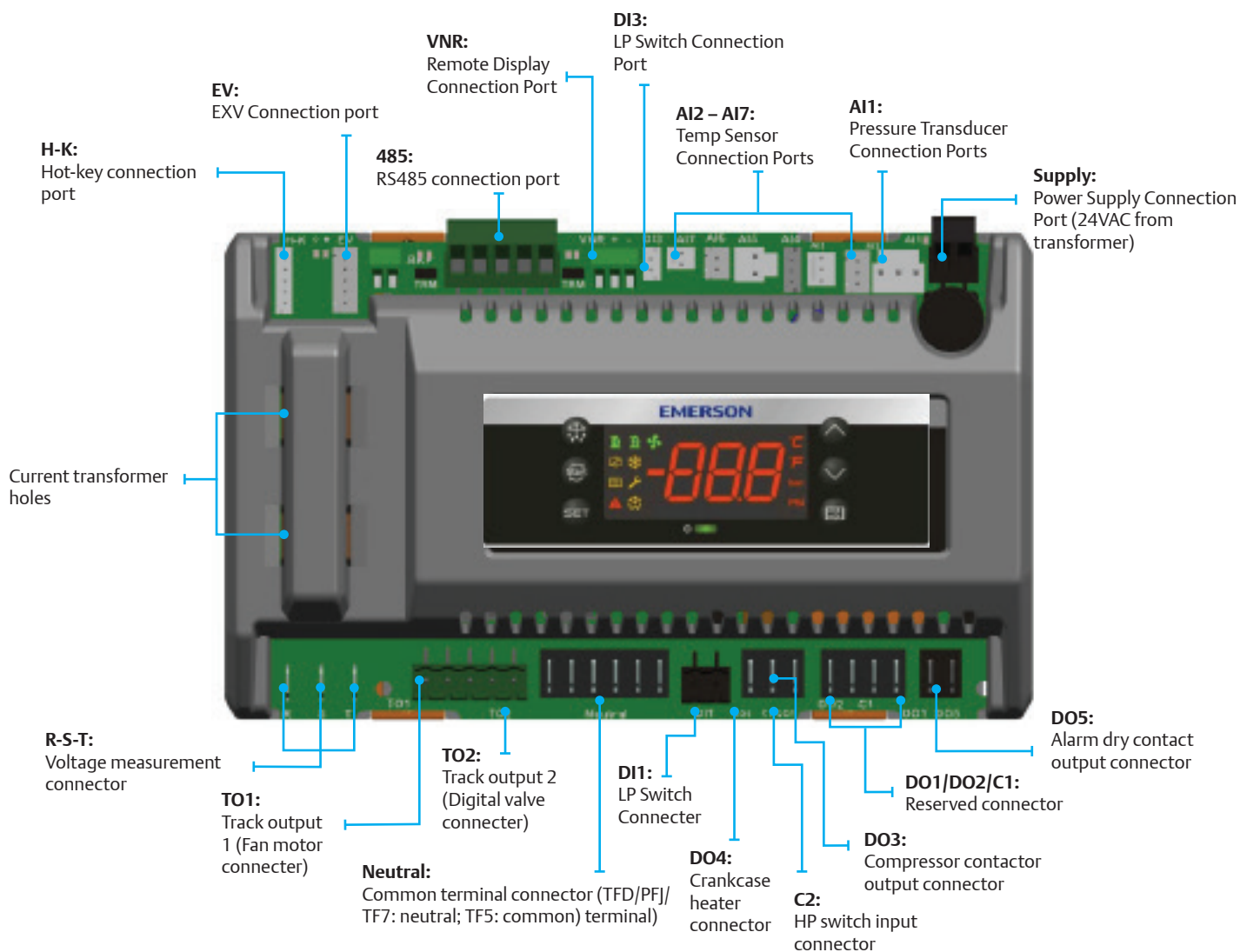


Figure 2. Layout of the CoreSense™, Intelligent Store Module

CoreSense™ Layout

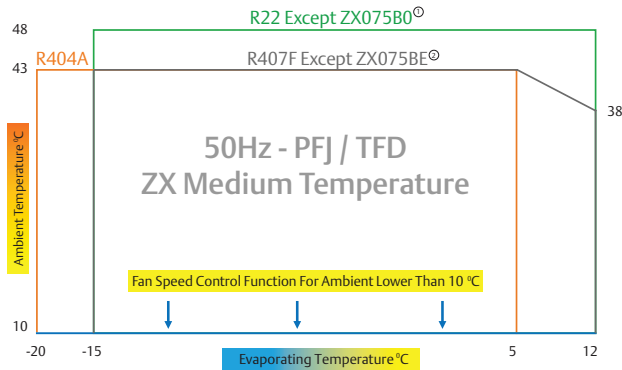


Operating Envelopes

ZX Family : Medium Temperature

ZX Medium Temperature at 50 Hz - PFJ / TFD

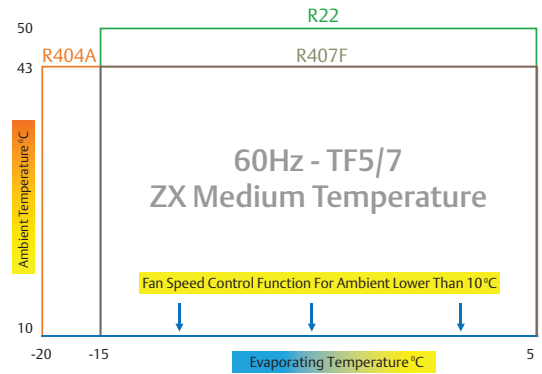
Refrigerant – R404A, R22, R407F
Maximum Suction Gas Temperature: 20°C



NoteⓄ: For model ZX075B0 (R22) Max Amb: 43°C, Max Evap: 5°C
NoteⓄ: For model ZX075BE (R407F) Max Evap: 5°C

ZX Medium Temperature at 60 Hz - TF5/7

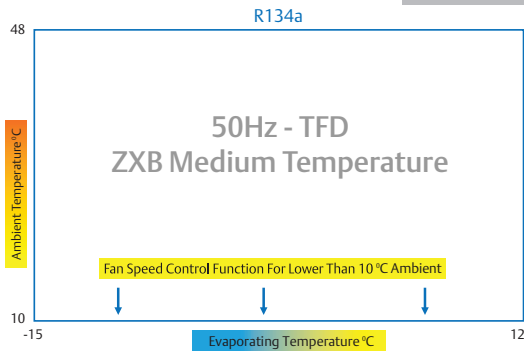
Refrigerant – R404A, R22, R407F
Maximum Suction Gas Temperature: 20°C



ZXB Family : Medium Temperature

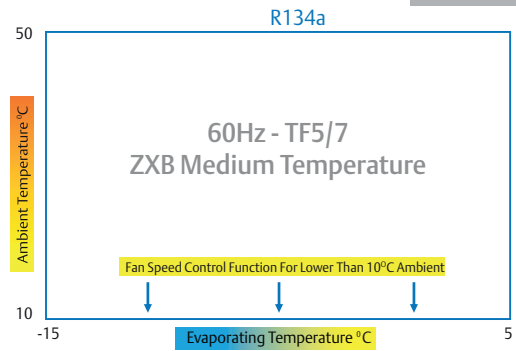
ZXB Medium Temperature at 50 Hz - TFD

Refrigerant – R134a
Maximum Suction Gas Temperature: 20°C



ZXB Medium Temperature 60 Hz-TF5/7

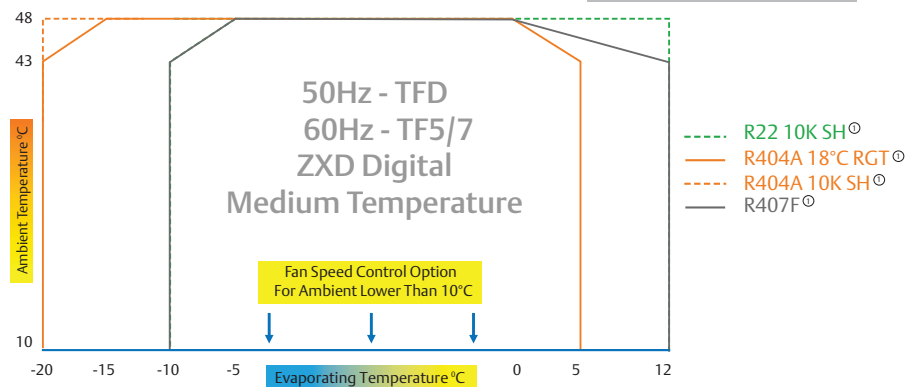
Refrigerant – R134a
Maximum Suction Gas Temperature: 20°C



ZXD Family : Digital Medium Temperature

ZXD Digital Medium Temperature at 50 Hz - TFD
at 60 Hz - TF5/7

Refrigerant – R404A, R22, R407F
Maximum Suction Gas Temperature: 20°C
(R22 50Hz-TFD is with 10K SH)



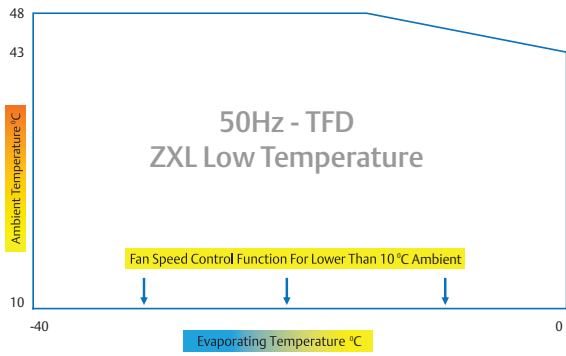
NoteⓄ: For model ZXD075B0/E Max Amb: 43°C, Max Evap: 5°C

Operating Envelopes

ZXL Family : Low Temperature

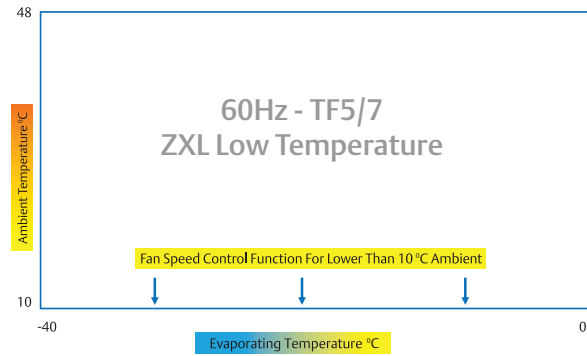
ZXL Low Temperature at 50 Hz - TFD

Refrigerant - R404A, R22, R407F
Maximum Suction Gas Temperature: 20 °C

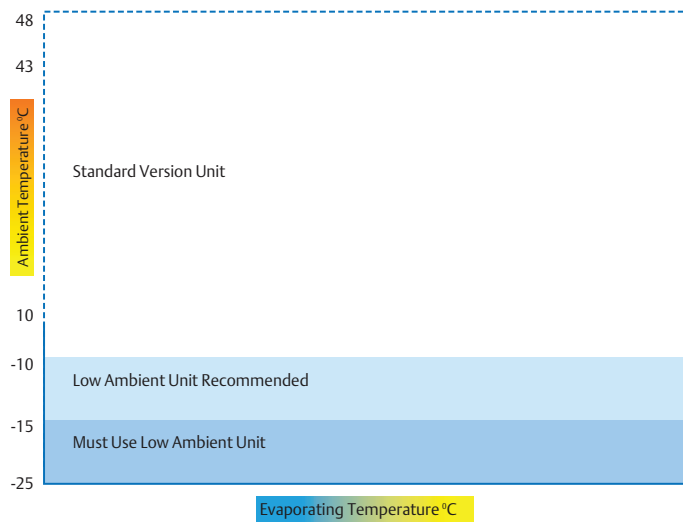


ZXL Low Temperature at 60 Hz - TF5/7

Refrigerant - R404A, R22, R407F
Maximum Suction Gas Temperature: 20 °C



Guideline for Using Low Ambient Units



Note: For applications under -25°C ambient temperature, please contact Application Engineering.

ZX Family: Medium Temperature

Capacity and Power (kW) at 50 Hz - PFJ/TFD

R22

Model	Ambient Temperature (°C)	Capacity Evaporating Temperature (°C)							Power Evaporating Temperature (°C)						
		-15	-10	-5	0	5	10	12	-15	-10	-5	0	5	10	12
ZX020B0	27	2.84	3.61	4.18	4.95	5.87	7.03	7.45	1.33	1.37	1.41	1.47	1.53	1.70	1.79
	32	2.65	3.33	4.01	4.75	5.61	6.54	6.96	1.45	1.50	1.58	1.64	1.71	1.84	1.88
	38	2.38	3.11	3.81	4.55	5.37	6.19	6.68	1.62	1.74	1.83	1.87	1.91	2.03	2.08
	43	1.93	2.74	3.48	4.23	5.06	5.99	6.33	1.78	1.83	1.95	2.05	2.11	2.20	2.25
	48	1.68	2.30	3.18	3.87	4.69	5.51	5.80	2.21	2.31	2.44	2.51	2.54	2.55	2.64
ZX025B0 ¹	27	3.52	4.17	4.96	5.91	7.07	8.44	9.06	1.43	1.49	1.55	1.60	1.62	1.60	1.58
	32	3.35	4.02	4.79	5.68	6.73	7.96	8.50	1.59	1.64	1.69	1.75	1.78	1.79	1.78
	38	2.92	3.65	4.43	5.29	6.25	7.33	7.81	1.89	1.92	1.96	2.01	2.06	2.08	2.08
	43	2.39	3.20	4.02	4.88	5.79	6.79	7.22	2.22	2.22	2.24	2.29	2.33	2.37	2.37
	48	1.70	2.62	3.51	4.39	5.28	6.22	6.61	2.59	2.55	2.56	2.58	2.62	2.66	2.67
ZX030B0	27	4.30	5.20	6.28	7.57	9.09	10.22	10.80	1.95	2.04	2.17	2.20	2.23	2.43	2.49
	32	4.12	4.90	5.95	7.28	8.69	9.79	10.31	2.10	2.20	2.32	2.34	2.46	2.70	2.77
	38	3.68	4.62	5.65	6.85	8.29	9.06	9.63	2.37	2.48	2.59	2.60	2.76	3.06	3.12
	43	3.27	4.22	5.27	6.50	7.97	8.63	9.08	2.64	2.75	2.84	2.94	3.04	3.32	3.36
	48	2.40	3.55	4.65	5.67	6.86	7.97	8.50	2.98	3.18	3.28	3.35	3.50	3.64	3.69
ZX040B0	27	5.98	7.20	8.57	10.03	11.54	13.82	14.64	2.64	2.71	2.83	2.98	3.08	3.34	3.36
	32	5.46	6.73	8.13	9.62	11.16	13.01	13.85	2.81	2.90	3.06	3.19	3.33	3.68	3.68
	38	4.72	6.01	7.42	8.93	10.48	12.09	13.04	3.08	3.27	3.39	3.49	3.65	4.09	4.07
	43	4.09	5.37	6.78	8.27	9.80	11.61	12.25	3.29	3.52	3.68	3.80	3.95	4.38	4.39
	48	3.55	4.50	6.20	7.57	9.08	10.68	11.23	4.16	4.46	4.49	4.72	4.80	5.07	5.18
ZX050B0 ²	27	7.13	8.76	10.44	12.22	14.12	17.28	18.22	2.88	3.03	3.18	3.29	3.47	4.16	4.28
	32	6.77	8.31	9.96	11.72	13.68	16.62	17.47	3.37	3.35	3.57	3.67	3.97	4.50	4.58
	38	6.24	7.69	9.28	11.06	13.06	15.31	16.34	3.77	3.87	4.07	4.27	4.47	4.98	5.10
	43	5.44	6.80	8.36	10.15	12.21	14.60	15.47	4.27	4.27	4.47	4.66	4.96	5.46	5.56
	48	3.96	5.80	7.62	9.49	11.47	13.49	14.40	5.14	5.21	5.44	5.61	5.80	6.01	6.04
ZX060B0 ²	27	8.50	10.41	12.49	14.72	17.66	19.64	20.60	3.51	3.70	3.88	4.16	4.43	4.98	5.32
	32	7.71	9.93	11.71	13.94	16.30	18.87	20.10	3.88	4.07	4.25	4.43	4.71	5.29	5.47
	38	6.81	8.42	10.57	12.85	15.26	17.77	18.92	4.34	4.53	4.71	4.90	5.08	5.86	5.98
	43	5.91	7.23	9.40	11.78	14.26	16.33	17.86	4.90	5.17	5.45	5.64	5.73	6.57	6.66
	48	4.97	7.00	9.25	11.15	13.08	15.09	16.06	6.02	6.22	6.46	6.69	6.96	7.22	7.45
ZX075B0 ²	27	10.03	12.20	14.41	17.23	20.87			4.34	4.54	4.76	4.98	5.22		
	32	9.45	11.24	13.90	16.63	20.21			4.77	4.95	5.19	5.51	5.91		
	38	8.83	10.85	13.25	15.50	19.42			5.36	5.53	5.83	6.25	6.80		
	43	8.18	10.00	12.29	14.30	18.49			5.95	6.10	6.43	6.93	7.62		
ZX076B0 ²	27	10.23	12.44	14.70	17.60	21.29	25.49	27.01	4.25	4.45	4.66	4.88	5.12	5.47	5.64
	32	9.64	11.46	14.18	16.96	20.61	24.03	25.58	4.67	4.85	5.09	5.40	5.79	5.86	5.97
	38	9.01	11.07	13.52	15.80	19.81	22.85	24.65	5.26	5.42	5.72	6.12	6.67	6.64	6.81
	43	8.34	10.20	12.54	14.60	18.86	22.34	23.57	5.83	5.98	6.30	6.79	7.47	7.34	7.48
	48	7.24	8.55	11.46	14.09	17.47	20.55	21.61	6.79	7.04	7.40	7.89	8.43	8.74	8.78

Notes: ¹ Available on PFJ models only
² Available on TFD models only
The rating condition is based on a return gas temperature of 18.3°C.
Power includes condenser fan.
Ambient 38°C and 43°C are typical design conditions for unit selection.

ZX Family: Medium Temperature

Capacity and Power (kW) at 60 Hz - TF5/TF7

R22

Model	Ambient Temperature (°C)	Capacity Evaporating Temperature (°C)					Power Evaporating Temperature (°C)				
		-15	-10	-5	0	5	-15	-10	-5	0	5
ZX020B0	27	3.62	4.42	5.36	6.43	7.59	1.69	1.71	1.69	1.69	1.71
	32	3.41	4.22	5.17	6.20	7.29	1.89	1.91	1.90	1.89	1.90
	38	2.88	3.77	4.75	5.78	6.84	2.13	2.17	2.17	2.17	2.18
	43	2.20	3.19	4.24	5.31	6.38	2.35	2.41	2.42	2.43	2.45
	48	1.30	2.43	3.58	4.73	5.84	2.59	2.67	2.71	2.73	2.75
	50	0.88	2.07	3.27	4.46	5.60	2.69	2.78	2.83	2.85	2.89
ZX030B0	27	5.12	6.20	7.29	8.90	10.54	2.42	2.53	2.69	2.73	2.77
	32	4.91	5.84	6.98	8.48	10.00	2.60	2.73	2.88	2.90	3.05
	38	4.39	5.51	6.53	7.96	9.38	2.94	3.08	3.21	3.22	3.42
	43	3.90	5.03	5.94	7.35	8.74	3.27	3.41	3.52	3.65	3.77
	48	2.86	4.23	5.01	6.45	7.86	3.70	3.94	4.07	4.15	4.34
	50	2.45	3.12	4.51	5.98	7.40	3.86	4.16	4.29	4.36	4.57
ZX040B0	27	7.36	8.83	10.52	12.37	14.31	3.25	3.35	3.52	3.75	4.02
	32	7.06	8.54	10.21	12.02	13.92	3.55	3.63	3.79	4.01	4.28
	38	6.37	7.87	9.55	11.34	13.20	4.05	4.11	4.26	4.48	4.75
	43	5.62	7.16	8.86	10.66	12.50	4.55	4.60	4.73	4.95	5.22
	48	4.82	6.41	8.14	9.96	11.81	5.09	5.12	5.25	5.46	5.74
	50	4.50	6.12	7.87	9.70	11.55	5.30	5.33	5.46	5.67	5.95
ZX050B0	27	8.55	10.51	12.53	14.66	16.95	3.54	3.72	3.91	4.05	4.27
	32	8.12	9.97	11.95	14.06	16.42	4.15	4.13	4.39	4.52	4.88
	38	7.49	9.23	11.14	13.28	15.68	4.64	4.76	5.00	5.25	5.49
	43	6.53	8.16	10.03	12.18	14.65	5.25	5.25	5.49	5.74	6.10
	48	4.75	6.96	9.14	11.39	13.76	6.33	6.40	6.69	6.90	7.13
	50	4.04	6.48	8.79	11.07	13.41	6.76	6.87	7.16	7.37	7.55
ZX060B0	27	10.20	12.49	14.99	17.66	21.19	4.39	4.62	4.85	5.20	5.54
	32	9.25	11.92	14.05	16.73	19.56	4.85	5.08	5.31	5.54	5.89
	38	8.17	10.10	12.68	15.42	18.31	5.43	5.66	5.89	6.12	6.35
	43	7.09	8.68	11.28	14.14	17.11	6.12	6.47	6.81	7.04	7.16
	48	5.96	8.40	11.10	13.38	15.70	7.53	7.77	8.07	8.37	8.70
	50	5.51	8.29	11.03	13.08	15.13	8.09	8.16	8.44	8.75	9.00
ZX075B0	27	11.25	14.06	16.61	19.89	24.05	5.10	5.34	5.59	5.86	6.14
	32	10.60	12.95	16.02	19.16	23.29	5.60	5.82	6.11	6.48	6.95
	38	9.91	12.51	15.28	17.85	22.38	6.31	6.51	6.86	7.35	8.00
	43	9.18	11.53	14.17	16.50	21.31	7.00	7.17	7.56	8.15	8.96
	48	7.96	9.66	12.95	15.92	19.74	8.15	8.45	8.88	9.47	10.12
	50	7.48	8.92	12.46	15.69	19.11	8.61	8.96	9.41	10.00	10.58

Note: The rating condition is based on a return gas temperature of 18.3°C.
 Power includes condenser fan.
 Ambient 38°C and 43°C are typical design conditions for unit selection.

ZX Family: Medium Temperature

Capacity and Power (kW) at 50 Hz - PFJ/TFD

R404A

Model	Ambient Temperature (°C)	Capacity Evaporating Temperature (°C)						Power Evaporating Temperature (°C)					
		-20	-15	-10	-5	0	5	-20	-15	-10	-5	0	5
ZX020BE	27	3.30	3.90	4.44	5.08	5.79	6.60	1.64	1.67	1.70	1.76	1.84	1.96
	32	2.85	3.39	3.92	4.48	5.08	5.76	1.79	1.81	1.84	1.90	2.00	2.12
	38	2.42	2.90	3.36	3.85	4.36	4.94	1.95	1.99	2.02	2.07	2.16	2.26
	43	1.94	2.43	2.89	3.34	3.81	4.30	2.14	2.18	2.22	2.27	2.34	2.41
ZX025BE ¹	27	3.22	3.95	4.67	5.45	6.37	7.50	1.71	1.76	1.79	1.84	1.90	1.96
	32	2.96	3.68	4.36	5.09	5.95	7.00	1.93	1.96	2.00	2.04	2.08	2.13
	38	2.61	3.31	3.96	4.64	5.41	6.37	2.19	2.23	2.26	2.29	2.32	2.35
	43	1.96	2.64	3.26	3.89	4.61	5.48	2.59	2.65	2.69	2.71	2.73	2.76
ZX030BE	27	4.04	4.87	5.81	6.85	7.99	9.23	2.14	2.19	2.24	2.32	2.42	2.55
	32	3.75	4.52	5.39	6.35	7.40	8.55	2.40	2.44	2.50	2.57	2.67	2.81
	38	3.39	4.08	4.85	5.72	6.67	7.69	2.72	2.75	2.80	2.88	3.00	3.15
	43	3.06	3.69	4.39	5.17	6.03	6.97	3.06	3.09	3.14	3.21	3.33	3.50
ZX040BE	27	5.52	6.57	7.70	8.95	10.37	12.02	2.72	2.86	3.02	3.17	3.31	3.36
	32	5.10	6.10	7.13	8.24	9.47	10.87	3.03	3.15	3.31	3.46	3.54	3.68
	38	4.61	5.60	6.57	7.57	8.64	9.85	3.45	3.58	3.71	3.85	3.97	4.03
	43	3.98	5.00	5.95	6.89	7.83	8.85	3.87	4.00	4.12	4.23	4.33	4.38
ZX050BE ²	27	7.49	9.05	10.67	12.31	13.93	15.51	3.65	3.73	3.86	4.02	4.25	4.53
	32	6.56	8.12	9.76	11.43	13.10	14.74	4.11	4.20	4.32	4.50	4.72	5.00
	38	5.56	7.07	8.67	10.32	11.98	13.63	4.59	4.68	4.79	4.96	5.16	5.42
	43	4.88	6.28	7.79	9.37	10.98	12.58	5.11	5.17	5.27	5.40	5.59	5.81
ZX060BE ²	27	8.24	9.72	11.47	13.30	15.69	18.48	3.69	3.84	4.06	4.33	4.62	4.93
	32	7.53	9.06	10.72	12.58	14.72	17.20	4.40	4.54	4.75	5.01	5.28	5.56
	38	6.74	8.25	9.83	11.55	13.48	15.69	4.93	5.05	5.25	5.47	5.72	5.98
	43	5.90	7.48	9.07	10.74	12.57	14.63	5.59	5.69	5.85	6.06	6.28	6.51
ZX075BE ²	27	9.04	10.86	12.75	15.07	17.76	20.13	4.08	4.26	4.50	4.80	5.13	5.46
	32	8.33	10.01	11.82	13.86	16.20	18.92	4.88	5.03	5.27	5.54	5.86	6.17
	38	7.30	8.74	10.62	12.47	14.54	16.92	5.46	5.61	5.82	6.06	6.35	6.63
	43	6.26	7.93	9.61	11.38	13.32	15.50	6.20	6.32	6.49	6.71	6.96	7.22
ZX076BE ²	27	9.22	11.07	13.00	15.37	18.12	20.53	4.00	4.17	4.41	4.70	5.03	5.35
	32	8.50	10.21	12.06	14.14	16.53	19.30	4.78	4.93	5.16	5.43	5.74	6.05
	38	7.45	8.91	10.83	12.72	14.83	17.26	5.35	5.50	5.70	5.94	6.22	6.50
	43	6.39	8.09	9.80	11.61	13.59	15.81	6.07	6.19	6.36	6.57	6.82	7.07

Notes: ¹ Available on PFJ models only
² Available on TFD models only
The rating condition is based on a return gas temperature of 18.3°C.
Power includes condenser fan.
Ambient 38°C and 43°C are typical design conditions for unit selection.

ZX Family: Medium Temperature

Capacity and Power (kW) at 60 Hz - TF5/TF7

R404A

Model	Ambient Temperature (°C)	Capacity Evaporating Temperature (°C)						Power Evaporating Temperature (°C)					
		-20	-15	-10	-5	0	5	-20	-15	-10	-5	0	5
ZX020BE	27	3.50	4.26	4.98	5.77	6.71	7.89	1.84	1.87	1.90	1.95	2.00	2.05
	32	3.15	3.94	4.66	5.40	6.25	7.30	2.09	2.10	2.12	2.16	2.20	2.24
	38	2.69	3.52	4.24	4.93	5.69	6.60	2.42	2.42	2.44	2.47	2.50	2.54
	43	2.22	3.09	3.82	4.48	5.17	5.97	2.71	2.71	2.73	2.76	2.81	2.85
ZX030BE	27	5.02	5.98	7.05	8.17	9.29	10.36	2.69	2.80	2.92	3.05	3.17	3.29
	32	4.62	5.56	6.63	7.75	8.88	9.97	2.98	3.06	3.16	3.26	3.36	3.45
	38	4.14	5.02	6.02	7.10	8.18	9.23	3.38	3.46	3.55	3.65	3.75	3.85
	43	3.78	4.56	5.47	6.46	7.47	8.44	3.74	3.84	3.95	4.08	4.21	4.33
ZX040BE	27	6.71	8.02	9.60	11.30	13.00	14.59	3.72	3.79	3.89	3.99	4.10	4.18
	32	6.46	7.70	9.20	10.81	12.42	13.90	3.84	3.92	4.02	4.14	4.26	4.35
	38	5.90	7.05	8.45	9.95	11.43	12.76	4.32	4.40	4.50	4.62	4.74	4.84
	43	5.36	6.43	7.73	9.12	10.49	11.69	4.89	4.95	5.05	5.16	5.27	5.37
ZX050BE	27	8.10	9.70	11.55	13.54	15.53	17.38	4.42	4.63	4.86	5.11	5.35	5.57
	32	8.05	9.56	11.33	13.21	15.09	16.83	4.59	4.78	4.99	5.22	5.45	5.66
	38	7.46	8.86	10.50	12.25	13.99	15.58	5.10	5.27	5.48	5.70	5.93	6.13
	43	6.81	8.10	9.63	11.26	12.88	14.33	5.62	5.80	6.01	6.24	6.47	6.69
ZX060BE	27	9.84	11.77	13.96	16.31	18.74	21.15	5.06	5.24	5.49	5.76	6.01	6.20
	32	9.25	11.09	13.16	15.36	17.60	19.79	5.39	5.58	5.82	6.09	6.35	6.55
	38	8.30	10.09	12.06	14.13	16.19	18.16	6.09	6.25	6.48	6.74	6.99	7.19
	43	7.32	9.11	11.04	13.03	14.98	16.82	6.82	6.96	7.17	7.41	7.65	7.83
ZX075BE	27	11.16	13.39	14.92	17.64	19.93	22.58	4.80	5.00	5.69	6.06	6.54	6.96
	32	10.29	12.35	13.84	16.23	18.18	21.23	5.74	5.92	6.66	7.00	7.46	7.87
	38	9.01	10.78	12.43	14.60	16.31	18.99	6.42	6.60	7.35	7.66	8.09	8.45
	43	7.73	9.79	11.25	13.33	14.95	17.39	7.28	7.43	8.20	8.48	8.87	9.19

Note: The rating condition is based on a return gas temperature of 18.3°C.
 Power includes condenser fan.
 Ambient 38°C and 43°C are typical design conditions for unit selection.

ZX Family: Medium Temperature

Capacity and Power (kW) at 50 Hz - PFJ/TFD

R407F

Model	Ambient Temperature (°C)	Capacity Evaporating Temperature (°C)							Power Evaporating Temperature (°C)						
		-15	-10	-5	0	5	10	12	-15	-10	-5	0	5	10	12
ZX020BE	27	3.63	4.32	5.07	5.79	6.45	7.24	7.62	1.55	1.67	1.76	1.87	1.99	2.06	2.14
	32	3.36	3.98	4.69	5.39	6.07	6.90	7.30	1.77	1.85	1.93	2.05	2.22	2.35	2.46
	38	2.79	3.35	4.02	4.74	5.46	6.35	6.78	2.11	2.18	2.27	2.44	2.70	2.92	3.06
	43	2.21	2.74	3.40	4.14	4.91			2.40	2.48	2.61	2.84	3.20		
ZX025BE	27	3.91	4.83	5.80	6.82	7.91	9.05	9.53	1.72	1.85	1.92	1.96	2.00	2.09	2.14
	32	3.63	4.45	5.35	6.35	7.44	8.63	9.13	1.97	2.05	2.10	2.15	2.23	2.38	2.46
	38	3.01	3.74	4.59	5.58	6.69	7.94	8.48	2.35	2.41	2.47	2.56	2.71	2.96	3.09
	43	2.39	3.06	3.88	4.87	6.03			2.67	2.74	2.83	2.98	3.22		
ZX030BE	27	5.01	6.13	7.30	8.53	9.88	11.32	11.91	2.20	2.39	2.47	2.58	2.64	2.78	2.85
	32	4.64	5.65	6.75	7.94	9.31	10.79	11.41	2.44	2.63	2.67	2.77	2.97	3.16	3.27
	38	3.85	4.75	5.79	6.97	8.37	9.93	10.60	2.86	3.00	3.11	3.23	3.57	3.90	4.07
	43	3.06	3.88	4.89	6.09	7.53			3.11	3.28	3.43	3.49	4.03		
ZX040BE	27	6.81	8.21	9.64	11.09	12.65	14.37	15.13	2.87	3.18	3.26	3.38	3.41	3.57	3.66
	32	6.31	7.57	8.91	10.33	11.91	13.70	14.49	3.18	3.49	3.53	3.64	3.84	4.06	4.20
	38	5.24	6.36	7.64	9.07	10.71	12.61	13.46	3.72	3.98	4.10	4.24	4.61	5.01	5.23
	43	4.16	5.20	6.46	7.92	9.64			4.04	4.36	4.53	4.59	5.21		
ZX050BE	27	8.11	10.02	11.73	13.53	15.71	18.56	19.95	3.62	3.70	3.92	4.20	4.46	4.62	4.64
	32	7.42	9.44	11.19	12.96	15.04	17.74	19.05	4.07	4.16	4.39	4.69	4.96	5.14	5.16
	38	6.32	8.44	10.22	11.95	13.91	16.41	17.61	4.61	4.71	4.95	5.26	5.54	5.73	5.76
	43	5.32	7.53	9.33	11.01	12.87			5.12	5.22	5.46	5.77	6.06		
ZX060BE	27	9.24	11.22	13.02	15.16	18.23	21.53	23.15	3.93	3.87	4.07	4.36	4.79	4.96	4.98
	32	8.46	10.57	12.42	14.51	17.45	20.57	22.09	4.50	4.48	4.62	5.00	5.38	5.57	5.60
	38	7.20	9.45	11.35	13.38	16.14	19.03	20.43	5.05	5.02	5.19	5.50	6.07	6.27	6.30
	43	6.07	8.44	10.36	12.33	14.93			5.56	5.51	5.66	5.98	6.44		
ZX075BE	27	10.07	12.23	14.19	16.52	19.68			4.32	4.22	4.39	4.65	5.08		
	32	9.23	11.52	13.53	15.82	18.85			4.92	4.89	5.04	5.47	5.81		
	38	7.85	10.31	12.37	14.59	17.43			5.68	5.64	5.80	6.16	6.74		
	43	6.62	9.20	11.29	13.45	16.12			6.38	6.29	6.46	6.81	7.28		
ZX076BE	27	10.28	12.48	14.48	16.85	20.08	23.72	25.50	4.44	4.31	4.43	4.64	5.08	5.26	5.28
	32	9.41	11.75	13.80	16.14	19.23	22.66	24.34	5.03	5.01	5.14	5.60	5.93	6.14	6.16
	38	8.01	10.51	12.62	14.88	17.78	20.96	22.51	5.97	5.94	6.07	6.44	7.08	7.34	7.38
	43	6.75	9.38	11.52	13.71	16.44			6.84	6.72	6.90	7.26	7.76		

Notes: The rating condition is based on a return gas temperature of 18.3°C.
 Power includes condenser fan.
 Ambient 38°C and 43°C are typical design conditions for unit selection.

ZX Family: Medium Temperature

Capacity and Power (kW) at 60 Hz - TF5/TF7

R407F

Model	Ambient Temperature (°C)	Capacity Evaporating Temperature (°C)					Power Evaporating Temperature (°C)				
		-15	-10	-5	0	5	-15	-10	-5	0	5
ZX020BE	27	4.51	5.36	6.27	7.14	7.92	2.01	2.11	2.20	2.28	2.41
	32	4.17	4.93	5.78	6.63	7.44	2.29	2.33	2.41	2.50	2.68
	38	3.45	4.13	4.95	5.81	6.68	2.73	2.74	2.83	2.97	3.25
	43	2.73	3.37	4.18	5.07	6.00	3.10	3.11	3.24	3.45	3.85
ZX030BE	27	6.23	7.60	9.03	10.51	12.14	2.86	3.02	3.08	3.15	3.19
	32	5.76	6.99	8.32	9.77	11.41	3.17	3.31	3.33	3.38	3.58
	38	4.77	5.86	7.13	8.56	10.24	3.70	3.76	3.87	3.93	4.30
	43	3.78	4.78	6.01	7.46	9.20	4.01	4.11	4.26	4.24	4.84
ZX040BE	27	8.47	10.18	11.91	13.66	15.54	3.72	4.01	4.07	4.13	4.12
	32	7.83	9.36	10.99	12.70	14.60	4.12	4.39	4.39	4.43	4.63
	38	6.49	7.85	9.41	11.13	13.11	4.82	5.00	5.10	5.16	5.56
	43	5.14	6.41	7.94	9.70	11.78	5.22	5.46	5.62	5.57	6.26
ZX050BE	27	10.08	12.42	14.50	16.67	19.30	4.71	4.67	4.89	5.13	5.40
	32	9.21	11.68	13.80	15.94	18.45	5.27	5.23	5.47	5.71	5.99
	38	7.82	10.42	12.58	14.67	17.03	5.97	5.91	6.16	6.39	6.68
	43	6.58	9.28	11.47	13.49	15.71	6.61	6.54	6.77	7.00	7.28
ZX060BE	27	11.49	13.91	16.09	18.68	22.39	5.11	4.88	5.08	5.32	5.80
	32	10.50	13.08	15.31	17.85	21.40	5.83	5.63	5.76	6.09	6.49
	38	8.92	11.67	13.97	16.43	19.75	6.54	6.31	6.45	6.69	7.31
	43	7.50	10.40	12.73	15.11	18.23	7.17	6.91	7.03	7.26	7.75
ZX075BE	27	12.53	15.16	17.54	20.36	24.18	5.61	5.32	5.48	5.68	6.14
	32	11.45	14.25	16.69	19.45	23.11	6.38	6.16	6.28	6.67	7.01
	38	9.72	12.72	15.23	17.91	21.33	7.35	7.09	7.21	7.49	8.12
	43	8.18	11.33	13.87	16.47	19.69	8.23	7.89	8.02	8.27	8.75

Note: The rating condition is based on a return gas temperature of 18.3°C.
 Power includes condenser fan.
 Ambient 38°C and 43°C are typical design conditions for unit selection.

ZXB Family: Medium Temperature

Capacity and Power (kW) at 50 Hz - TFD

R134a

Model	Ambient Temperature (°C)	Capacity Evaporating Temperature (°C)							Power Evaporating Temperature (°C)						
		-15	-10	-5	0	5	10	12	-15	-10	-5	0	5	10	12
ZXB015BE	27	2.42	2.92	3.48	4.11	4.83	5.65	6.01	1.10	1.08	1.09	1.11	1.14	1.16	1.16
	32	2.37	2.87	3.42	4.03	4.72	5.52	5.86	1.20	1.18	1.18	1.21	1.25	1.28	1.29
	38	2.26	2.76	3.30	3.89	4.56	5.31	5.64	1.34	1.32	1.33	1.36	1.41	1.46	1.47
	43	2.14	2.64	3.18	3.76	4.40	5.13	5.44	1.49	1.47	1.48	1.52	1.58	1.64	1.66
	48	2.01	2.52	3.05	3.61	4.24	4.94	5.24	1.67	1.64	1.66	1.71	1.77	1.84	1.87
ZXB020BE	27	2.74	3.41	4.14	4.94	5.78	6.67	7.03	1.08	1.07	1.10	1.14	1.19	1.23	1.25
	32	2.63	3.29	4.01	4.80	5.63	6.51	6.87	1.21	1.20	1.23	1.27	1.33	1.38	1.40
	38	2.47	3.12	3.84	4.61	5.43	6.29	6.64	1.38	1.38	1.41	1.46	1.52	1.58	1.60
	43	2.36	2.99	3.70	4.45	5.26	6.10	6.44	1.53	1.53	1.57	1.62	1.69	1.75	1.78
	48	2.27	2.90	3.58	4.32	5.10	5.92	6.25	1.69	1.69	1.73	1.78	1.85	1.93	1.95
ZXB025BE	27	2.98	3.70	4.46	5.28	6.19	7.20	7.63	1.25	1.28	1.34	1.42	1.52	1.62	1.66
	32	2.89	3.59	4.33	5.14	6.02	7.00	7.43	1.37	1.41	1.48	1.56	1.66	1.75	1.79
	38	2.79	3.47	4.18	4.95	5.80	6.75	7.16	1.53	1.59	1.67	1.76	1.86	1.96	1.99
	43	2.72	3.37	4.05	4.79	5.61	6.52	6.91	1.67	1.75	1.85	1.96	2.07	2.17	2.20
	48	2.65	3.27	3.92	4.62	5.40	6.27	6.65	1.83	1.94	2.06	2.18	2.30	2.41	2.44
ZXB030BE	27	3.74	4.53	5.45	6.49	7.66	8.95	9.49	1.50	1.54	1.62	1.73	1.83	1.93	1.96
	32	3.59	4.39	5.29	6.30	7.43	8.66	9.18	1.65	1.69	1.77	1.89	2.02	2.16	2.21
	38	3.43	4.22	5.10	6.08	7.15	8.31	8.80	1.85	1.87	1.96	2.09	2.25	2.43	2.50
	43	3.29	4.07	4.94	5.88	6.90	8.01	8.47	2.05	2.05	2.14	2.28	2.46	2.67	2.75
	48	3.14	3.91	4.75	5.66	6.64	7.67	8.11	2.30	2.29	2.36	2.51	2.70	2.94	3.03
ZXB035BE	27	5.09	6.04	7.16	8.40	9.73	11.13	11.70	1.88	2.06	2.21	2.35	2.52	2.75	2.87
	32	4.93	5.88	6.97	8.17	9.46	10.81	11.35	2.02	2.23	2.40	2.56	2.75	3.00	3.13
	38	4.76	5.67	6.72	7.88	9.11	10.37	10.88	2.22	2.45	2.65	2.84	3.05	3.32	3.46
	43	4.61	5.50	6.51	7.61	8.78	9.97	10.45	2.42	2.69	2.90	3.11	3.34	3.64	3.78
	48	4.47	5.32	6.28	7.32	8.41	9.53	9.97	2.71	2.99	3.23	3.46	3.71	4.03	4.18
ZXB040BE	27	5.48	6.65	7.93	9.34	10.88	12.55	13.26	2.19	2.22	2.33	2.49	2.70	2.95	3.05
	32	5.30	6.43	7.68	9.05	10.54	12.18	12.87	2.32	2.38	2.51	2.68	2.90	3.15	3.26
	38	5.11	6.18	7.38	8.69	10.13	11.71	12.38	2.53	2.62	2.77	2.95	3.17	3.42	3.52
	43	4.94	5.97	7.11	8.37	9.77	11.30	11.95	2.80	2.91	3.06	3.25	3.47	3.70	3.80
	48	4.76	5.73	6.82	8.03	9.36	10.84	11.47	3.18	3.31	3.47	3.66	3.87	4.09	4.18
ZXB050BE	27	6.23	7.53	9.10	10.95	13.06	15.47	16.51	2.45	2.52	2.66	2.84	3.05	3.28	3.37
	32	6.21	7.52	9.07	10.86	12.90	15.19	16.18	2.72	2.83	2.99	3.19	3.42	3.65	3.74
	38	6.17	7.45	8.93	10.63	12.54	14.67	15.59	3.07	3.21	3.41	3.63	3.87	4.10	4.19
	43	6.01	7.24	8.65	10.23	12.01	13.98	14.82	3.34	3.52	3.73	3.98	4.22	4.46	4.55
	48	5.65	6.80	8.10	9.56	11.18	12.96	13.72	3.57	3.78	4.02	4.28	4.54	4.78	4.86
ZXB055BE	27	7.34	8.70	10.14	11.76	13.65	15.91	16.94	2.92	3.13	3.38	3.63	3.89	4.14	4.24
	32	7.12	8.46	9.86	11.42	13.23	15.41	16.40	3.12	3.35	3.61	3.89	4.19	4.49	4.61
	38	6.87	8.16	9.49	10.97	12.69	14.75	15.69	3.43	3.66	3.93	4.23	4.56	4.90	5.05
	43	6.69	7.94	9.21	10.61	12.24	14.19	15.09	3.76	3.98	4.25	4.56	4.90	5.28	5.43
	48	6.59	7.78	8.98	10.30	11.83	13.67	14.51	4.20	4.39	4.65	4.96	5.32	5.71	5.87

Notes: The rating condition is based on the return gas temperature of 18.3°C.
 Power includes condenser fan.
 Ambient 38°C and 43°C are typical design conditions for unit selection.

ZXB Family: Medium Temperature

Capacity and Power (kW) at 60 Hz - TF5/TF7

R134a

Model	Ambient Temperature (°C)	Capacity Evaporating Temperature (°C)					Power Evaporating Temperature (°C)				
		-15	-10	-5	0	5	-15	-10	-5	0	5
ZXB015BE	27	2.84	3.49	4.20	4.97	5.82	1.30	1.31	1.34	1.31	1.37
	32	2.78	3.41	4.11	4.86	5.69	1.41	1.42	1.46	1.42	1.50
	38	2.68	3.29	3.96	4.69	5.50	1.58	1.60	1.64	1.60	1.69
	43	2.56	3.16	3.81	4.52	5.30	1.76	1.78	1.83	1.78	1.89
	48	2.42	2.99	3.61	4.30	5.06	1.97	1.99	2.05	1.99	2.12
	50	2.35	2.91	3.53	4.20	4.94	2.07	2.09	2.15	2.09	2.23
ZXB020BE	27	3.31	4.11	4.99	5.95	6.97	1.29	1.32	1.37	1.32	1.43
	32	3.17	3.96	4.84	5.79	6.80	1.45	1.48	1.54	1.48	1.60
	38	2.98	3.77	4.63	5.56	6.55	1.66	1.70	1.76	1.70	1.83
	43	2.84	3.61	4.46	5.37	6.34	1.85	1.89	1.95	1.89	2.03
	48	2.74	3.49	4.32	5.21	6.15	2.04	2.08	2.15	2.08	2.24
	50	2.72	3.46	4.28	5.16	6.09	2.12	2.16	2.23	2.16	2.32
ZXB025BE	27	3.60	4.46	5.37	6.37	7.46	1.54	1.61	1.71	1.61	1.83
	32	3.49	4.33	5.23	6.19	7.26	1.70	1.78	1.89	1.78	2.00
	38	3.37	4.18	5.04	5.97	7.00	1.91	2.01	2.13	2.01	2.25
	43	3.28	4.06	4.88	5.78	6.76	2.11	2.23	2.36	2.23	2.49
	48	3.19	3.94	4.72	5.57	6.51	2.34	2.48	2.63	2.48	2.77
	50	3.16	3.89	4.66	5.49	6.41	2.43	2.59	2.74	2.59	2.90
ZXB030BE	27	4.51	5.47	6.57	7.83	9.24	1.86	1.96	2.08	1.96	2.21
	32	4.33	5.29	6.38	7.60	8.96	2.03	2.14	2.28	2.14	2.44
	38	4.14	5.09	6.15	7.33	8.62	2.25	2.36	2.52	2.36	2.72
	43	3.97	4.91	5.95	7.09	8.33	2.48	2.58	2.75	2.58	2.97
	48	3.79	4.72	5.73	6.83	8.00	2.76	2.85	3.02	2.85	3.26
	50	3.71	4.64	5.64	6.71	7.86	2.89	2.98	3.15	2.98	3.40
ZXB035BE	27	6.14	7.32	8.66	10.15	11.75	2.43	2.60	2.79	2.60	3.88
	32	5.97	7.12	8.44	9.88	11.42	2.64	2.84	3.05	2.84	3.46
	38	5.76	6.88	8.14	9.52	10.99	2.92	3.16	3.40	3.16	2.99
	43	5.58	6.66	7.87	9.19	10.59	3.22	3.48	3.75	3.48	2.62
	48	5.39	6.41	7.57	8.82	10.14	3.59	3.88	4.17	3.88	2.26
	50	5.30	6.31	7.44	8.66	9.94	3.76	4.07	4.37	4.07	2.12
ZXB040BE	27	6.61	8.02	9.57	11.26	13.12	2.68	2.81	3.00	2.81	4.03
	32	6.39	7.76	9.26	10.91	12.71	2.87	3.03	3.24	3.03	3.63
	38	6.16	7.46	8.89	10.48	12.22	3.16	3.34	3.56	3.34	3.19
	43	5.96	7.20	8.57	10.10	11.78	3.51	3.69	3.92	3.69	2.81
	48	5.74	6.91	8.22	9.68	11.29	3.99	4.18	4.41	4.18	2.42
	50	5.64	6.78	8.07	9.50	11.08	4.23	4.43	4.66	4.43	2.26
ZXB050BE	27	7.51	9.08	10.98	13.20	15.76	3.04	3.20	3.42	3.20	3.68
	32	7.49	9.07	10.94	13.09	15.55	3.41	3.61	3.85	3.61	4.12
	38	7.44	8.98	10.77	12.82	15.12	3.87	4.11	4.38	4.11	4.66
	43	7.25	8.73	10.43	12.34	14.48	4.24	4.50	4.80	4.50	5.09
	48	6.82	8.20	9.77	11.53	13.48	4.56	4.85	5.16	4.85	5.47
	50	6.55	7.89	9.40	11.08	12.95	4.67	4.97	5.29	4.97	5.61
ZXB055BE	27	8.85	10.50	12.23	14.18	16.46	3.78	4.07	4.38	4.07	4.69
	32	8.59	10.20	11.89	13.77	15.96	4.04	4.36	4.70	4.36	5.05
	38	8.28	9.84	11.45	13.23	15.30	4.41	4.74	5.10	4.74	5.50
	43	8.07	9.57	11.11	12.80	14.76	4.80	5.12	5.50	5.12	5.91
	48	7.95	9.38	10.83	12.42	14.26	5.30	5.61	5.98	5.61	6.41
	50	7.93	9.34	10.75	12.29	14.08	5.54	5.84	6.21	5.84	6.64

Notes: Based on the return gas temperature of 18.3°C.
 Power includes condenser fan.
 Ambient 38°C and 43°C are typical design conditions for unit selection.

ZXD Family: Digital Medium Temperature

Capacity and Power (kW) at 50 Hz - TFD

R22

Model	Ambient Temperature (°C)	Capacity Evaporating Temperature (°C)						Power Evaporating Temperature (°C)					
		-10	-5	0	5	10	12	-10	-5	0	5	10	12
ZXD030B0	27	5.32	6.09	7.21	8.70	10.63	11.53	1.76	1.93	2.05	2.09	1.99	1.90
	32	4.90	5.84	6.94	8.24	9.80	10.50	2.02	2.11	2.21	2.28	2.27	2.24
	38	4.34	5.64	6.88	8.12	9.40	9.93	2.31	2.27	2.31	2.39	2.48	2.50
	43	3.18	4.91	6.41	7.72	8.90	9.34	2.74	2.57	2.55	2.62	2.75	2.81
	48		3.08						3.25				
ZXD040B0	27	7.73	9.28	10.88	12.42	14.67	15.18	2.66	2.77	2.92	3.02	3.30	3.38
	32	7.29	8.91	10.61	12.33	14.29	14.98	2.84	3.00	3.12	3.26	3.60	3.70
	38	6.39	7.95	9.68	11.44	13.22	14.14	3.20	3.32	3.42	3.57	4.01	4.10
	43	5.71	7.27	8.97	10.70	12.69	13.29	3.44	3.60	3.72	3.86	4.29	4.40
	48		6.55	8.06	9.76	11.56	12.17		4.40	4.62	4.70	4.96	5.07
ZXD050B0	27	8.76	10.44	12.22	14.12	17.28	18.22	3.03	3.18	3.29	3.47	3.95	4.10
	32	8.31	9.96	11.72	13.68	16.62	17.47	3.35	3.57	3.67	3.97	4.50	4.58
	38	7.69	9.28	11.06	13.06	15.31	16.34	3.87	4.07	4.27	4.47	4.98	5.10
	43	6.80	8.36	10.15	12.21	14.60	15.47	4.27	4.47	4.66	4.96	5.46	5.56
	48		7.62	9.49	11.47	13.49	14.40		5.44	5.61	5.80	6.01	6.04
ZXD060B0	27	10.41	12.49	14.72	17.66	19.64	20.60	3.70	3.88	4.16	4.50	4.70	4.81
	32	9.93	11.71	13.94	16.30	18.87	20.10	4.07	4.25	4.43	4.75	5.29	5.47
	38	8.90	10.57	12.85	15.26	17.77	18.92	4.53	4.71	4.90	5.23	5.86	5.98
	43	7.60	9.40	11.78	14.26	16.33	17.86	5.17	5.45	5.64	6.10	6.57	6.66
	48		9.25	11.15	13.08	15.09	16.06		6.46	6.69	6.96	7.22	7.30
ZXD075B0	27	12.37	14.91	17.73	20.87			4.54	4.76	4.98	5.22		
	32	11.24	13.90	16.96	20.21			4.95	5.19	5.51	5.91		
	38	10.85	13.25	16.08	19.42			5.53	5.83	6.25	6.80		
	43		12.29	15.09	18.49				6.43	6.93	7.62		
ZXD076B0	27	12.62	15.21	18.08	21.29	24.47	25.93	4.45	4.66	4.88	5.12	5.47	5.64
	32	11.46	14.18	16.96	20.61	23.07	24.56	4.85	5.09	5.40	5.79	5.86	5.97
	38	11.07	13.52	15.80	19.81	21.94	23.66	5.42	5.72	6.12	6.67	6.64	6.81
	43	10.20	12.54	14.60	18.86	21.45	22.63	5.98	6.30	6.79	7.47	7.34	7.48
	48		11.46	14.09	17.47	19.73	20.75		7.40	7.89	8.43	8.74	8.78

Notes: The rating condition is based on suction superheat of 10K.
 ZXD030B0 rating condition is based on return gas temperature of 18.3°C.
 Power includes condenser fan.
 Ambient 38°C and 43°C are typical design conditions for unit selection.

ZXD Family: Digital Medium Temperature

Capacity and Power (kW) at 60 Hz – TF5/TF7

R22

Model	Ambient Temperature (°C)	Capacity Evaporating Temperature (°C)						Power Evaporating Temperature (°C)					
		-10	-5	0	5	10	12	-10	-5	0	5	10	12
ZXD030B0 ¹	27	6.18	7.27	8.44	9.77	11.34	12.05	2.21	2.31	2.46	2.72	3.12	3.32
	32	5.93	7.07	8.23	9.49	10.94	11.58	2.48	2.60	2.76	2.99	3.32	3.49
	38	5.45	6.67	7.86	9.08	10.42	11.00	2.72	2.90	3.07	3.27	3.54	3.68
	43	4.80	6.14	7.38	8.60	9.87		2.92	3.14	3.33	3.52	3.75	
	48		5.35						3.43				
ZXD040B0	27	8.03	9.77	11.63	13.35	15.08		3.09	3.20	3.37	3.60	3.90	
	32	7.62	9.29	11.09	12.74	14.38		3.39	3.50	3.68	3.92	4.24	
	38	6.97	8.27	9.89	11.97	13.66		3.80	3.92	4.11	4.37	4.71	
	43	6.47	7.78	9.33	11.31	13.03		4.20	4.32	4.52	4.79	5.16	
	48		7.43	8.94	10.51	12.23			4.77	4.98	5.27	5.66	
ZXD050B0	27	10.30	12.52	14.91	17.12	19.33		3.97	4.11	4.32	4.61	5.00	
	32	9.77	11.91	14.21	16.33	18.44		4.35	4.49	4.72	5.02	5.44	
	38	8.94	10.60	12.68	15.35	17.51		4.88	5.03	5.27	5.60	6.04	
	43	8.29	9.98	11.97	14.50	16.71		5.38	5.54	5.79	6.14	6.61	
	48		9.53	11.46	13.48	15.68			6.12	6.38	6.76	7.25	
ZXD060B0	27	12.15	14.77	17.60	20.20	22.81		4.72	4.89	5.14	5.49	5.95	
	32	11.53	14.06	16.77	19.27	21.76		5.17	5.35	5.61	5.98	6.47	
	38	10.54	12.51	14.96	18.11	20.66		5.80	5.99	6.27	6.66	7.18	
	43	9.78	11.78	14.12	17.11	19.72		6.41	6.60	6.89	7.31	7.87	
	48	NA	11.24	13.52	15.90	18.50		NA	7.28	7.60	8.04	8.63	
ZXD075B0	27	13.29	16.15	19.24	22.08	24.94		5.23	5.42	5.70	6.09	6.60	
	32	12.61	15.37	18.34	21.06	23.79		5.74	5.93	6.22	6.63	7.18	
	38	11.53	13.67	16.36	19.80	22.59		6.44	6.64	6.95	7.39	7.97	
	43	10.70	12.87	15.44	18.70	21.55		7.10	7.32	7.64	8.11	8.73	
	48	NA	12.29	14.78	17.38	20.23		NA	8.08	8.43	8.92	9.57	

Notes: ¹Available on TF7 models only.
 The rating condition is based on suction superheat of 10K.
 ZXD030B0 rating condition is based on return gas temperature of 18.3°C.
 Power includes condenser fan.
 Ambient 38°C and 43°C are typical design conditions for unit selection.

ZXD Family: Digital Medium Temperature

Capacity and Power (kW) at 50 Hz - TFD

R404A

Model	Ambient Temperature (°C)	Capacity Evaporating Temperature (°C)						Power Evaporating Temperature (°C)					
		-20	-15	-10	-5	0	5	-20	-15	-10	-5	0	5
ZXD030BE	27	3.95	4.65	5.56	6.65	7.90	9.28	1.92	2.14	2.24	2.26	2.26	2.29
	32	3.72	4.37	5.20	6.18	7.28	8.47	2.01	2.22	2.33	2.38	2.43	2.53
	38	3.32	3.94	4.69	5.55	6.48	7.45	2.27	2.46	2.56	2.63	2.73	2.90
	43	2.98	3.59	4.29	5.06	5.86	6.67	2.53	2.69	2.78	2.85	2.97	3.19
	48		3.34	4.00	4.70	5.39			2.86	2.92	2.99	3.13	
ZXD040BE	27	5.92	7.11	8.35	9.64	11.01	12.46	2.70	2.85	3.02	3.21	3.43	3.68
	32	5.53	6.69	7.87	9.11	10.40	11.75	2.99	3.12	3.27	3.44	3.64	3.87
	38	4.90	6.00	7.12	8.27	9.45	10.68	3.49	3.59	3.72	3.87	4.04	4.24
	43	4.23	5.28	6.33	7.40	8.48	9.59	4.02	4.10	4.21	4.34	4.50	4.68
	48	3.56	4.56	5.54	6.53	7.51		4.55	4.61	4.70	4.81	4.96	
ZXD050BE	27	7.49	9.05	10.67	12.31	13.93	15.51	3.65	3.73	3.86	4.02	4.25	4.53
	32	6.56	8.12	9.76	11.43	13.10	14.74	4.11	4.20	4.32	4.50	4.72	5.00
	38	5.56	7.07	8.67	10.32	11.98	13.63	4.59	4.68	4.79	4.96	5.16	5.42
	43	4.88	6.28	7.79	9.37	10.98	12.58	5.11	5.17	5.27	5.40	5.59	5.81
	48	4.20	5.49	6.91	8.42	9.98		5.63	5.67	5.75	5.85	6.01	
ZXD060BE	27	8.24	9.72	11.47	13.30	15.69	18.48	3.69	3.84	4.06	4.33	4.62	4.93
	32	7.58	9.06	10.72	12.58	14.72	17.20	4.40	4.54	4.75	5.01	5.28	5.56
	38	6.74	8.25	9.83	11.55	13.48	15.69	4.93	5.05	5.25	5.47	5.72	5.98
	43	5.90	7.48	9.07	10.74	12.57	14.63	5.59	5.69	5.85	6.06	6.28	6.51
	48	5.06	6.71	8.31	9.93	11.66		6.26	6.32	6.46	6.64	6.83	
ZXD075BE	27	9.04	10.86	12.75	15.07	17.76	20.13	4.08	4.26	4.50	4.80	5.13	5.46
	32	8.33	10.01	11.82	13.86	16.20	18.92	4.88	5.03	5.27	5.54	5.86	6.17
	38	7.30	8.74	10.62	12.47	14.54	16.92	5.46	5.61	5.82	6.06	6.35	6.63
	43	6.26	7.93	9.61	11.38	13.32	15.50	6.20	6.32	6.49	6.71	6.96	7.22
ZXD076BE	27	9.22	11.07	13.00	15.37	18.12	20.53	4.00	4.17	4.41	4.70	5.03	5.35
	32	8.50	10.21	12.06	14.14	16.53	19.30	4.78	4.93	5.16	5.43	5.74	6.05
	38	7.45	8.91	10.83	12.72	14.83	17.26	5.35	5.50	5.70	5.94	6.22	6.50
	43	6.39	8.09	9.80	11.61	13.59	15.81	6.07	6.19	6.36	6.57	6.82	7.07
	48	5.32	7.26	8.77	10.50	12.34		6.79	6.88	7.02	7.21	7.43	

Notes: The rating condition is based on return gas temperature of 18.3°C.
 The rating condition is based on suction superheat of 10 K.
 Power includes condenser fan.
 Ambient 38°C and 43°C are typical design conditions for unit selection.

ZXD Family: Digital Medium Temperature

Capacity and Power (kW) at 60 Hz - TF5/TF7

R404A

Model	Ambient Temperature (°C)	Capacity Evaporating Temperature (°C)						Power Evaporating Temperature (°C)					
		-20	-15	-10	-5	0	5	-20	-15	-10	-5	0	5
ZXD030BE ¹	27	4.70	5.68	6.71	7.80	8.94	10.14	2.29	2.46	2.63	2.79	2.95	3.10
	32	4.43	5.36	6.33	7.34	8.37	9.45	2.48	2.66	2.84	3.01	3.18	3.35
	38	4.03	4.89	5.77	6.67	7.58	8.50	2.73	2.92	3.10	3.29	3.48	3.67
	43	3.67	4.47	5.27	6.07	6.86	7.65	2.96	3.15	3.34	3.54	3.75	3.95
	48		4.07	4.78	5.48	6.15			3.40	3.59	3.80	4.02	
ZXD040BE	27	7.10	8.53	9.35	10.80	12.99	14.70	3.24	3.42	3.62	3.85	4.05	4.34
	32	6.64	8.03	8.70	10.20	12.27	13.87	3.59	3.74	4.00	4.13	4.30	4.57
	38	5.88	7.20	7.97	9.26	11.15	12.60	4.19	4.31	4.46	4.64	4.77	5.00
	43	5.21	6.34	7.09	8.29	10.01	11.32	4.82	4.92	5.05	5.21	5.31	5.52
	48	4.27	5.60	6.20	7.31	8.86		5.46	5.53	5.64	5.77	5.85	
ZXD050BE	27	8.99	10.86	11.74	13.54	15.32	17.06	4.38	4.48	4.63	4.83	5.10	5.44
	32	7.87	9.75	10.77	12.57	14.41	16.21	4.93	5.04	5.11	5.40	5.66	6.00
	38	6.67	8.48	9.54	11.35	13.18	14.99	5.51	5.61	5.75	5.95	6.20	6.51
	43	5.86	7.54	8.57	10.31	12.08	13.84	6.14	6.21	6.32	6.48	6.71	6.97
	48	5.04	6.59	7.60	9.26	10.98		6.76	6.81	6.89	7.02	7.22	
ZXD060BE	27	10.22	12.06	13.41	15.56	17.89	21.07	4.42	4.61	5.08	5.41	5.78	6.16
	32	9.34	11.23	12.54	14.72	16.78	19.61	5.28	5.45	5.93	6.26	6.61	6.96
	38	8.36	10.23	11.50	13.51	15.37	17.89	5.91	6.06	6.58	6.83	7.15	7.47
	43	7.44	9.27	10.61	12.57	14.33	16.68	6.71	6.83	7.32	7.57	7.85	8.34
	48	6.27	8.22	9.72	11.62	13.29		7.51	7.59	8.07	8.30	8.54	
ZXD075BE	27	11.16	13.39	14.92	17.64	19.93	22.58	4.80	5.00	5.69	6.06	6.54	6.96
	32	10.29	12.35	13.84	16.23	18.18	21.23	5.74	5.92	6.66	7.00	7.46	7.87
	38	9.01	10.78	12.43	14.60	16.31	18.99	6.42	6.60	7.35	7.66	8.09	8.45
	43	7.73	9.79	11.25	13.33	14.95	17.39	7.28	7.43	8.20	8.48	8.87	9.19
	48	6.44	8.78	10.07	12.05			8.15	8.26	9.06	9.30		

Notes: ¹Available on TF7 models only.

The rating condition is based on return gas temperature of 18.3°C.

■ The rating condition is based on suction superheat of 10 K.

Power includes condenser fan.

Ambient 38°C and 43°C are typical design conditions for unit selection.

ZXD Family: Digital Medium Temperature

Capacity and Power (kW) at 50 Hz - TFD

R407F

Model	Ambient Temperature (°C)	Capacity						Power					
		Evaporating Temperature (°C)						Evaporating Temperature (°C)					
		-10	-5	0	5	10	12	-10	-5	0	5	10	12
ZXD030BE	27	5.70	6.64	7.48	8.63	10.52	11.57	2.20	2.33	2.61	2.87	2.93	2.86
	32	5.31	6.35	7.24	8.40	10.25	11.27	2.42	2.53	2.79	3.01	3.02	2.92
	38	4.72	5.84	6.75	7.88	9.64	10.62	2.79	2.90	3.14	3.33	3.30	3.19
	43		5.45	6.35					3.23	3.47			
	48												
ZXD040BE	27	7.68	9.32	11.17	13.20	15.41	16.34	2.85	3.04	3.23	3.40	3.49	3.50
	32	7.30	8.93	10.73	12.69	14.77	15.64	3.13	3.30	3.50	3.70	3.86	3.90
	38	6.66	8.27	10.01	11.85	13.77	14.56	3.53	3.66	3.86	4.09	4.31	4.39
	43	6.06	7.64	9.30	11.03	12.81	13.53	3.95	4.04	4.22	4.46	4.72	4.83
	48		6.98	8.56					4.52	4.67			
ZXD050BE	27	9.52	11.65	13.94	16.37	19.26	20.42	3.61	3.77	3.94	4.08	4.20	4.21
	32	9.05	11.21	13.52	15.73	18.47	19.56	3.97	4.11	4.30	4.45	4.64	4.70
	38	8.11	10.33	12.69	14.81	17.35	18.37	4.40	4.54	4.77	4.95	5.23	5.33
	43	7.45	9.47	11.72	13.90	16.40	17.40	4.98	4.98	5.19	5.45	5.82	5.97
	48		8.73	10.79					5.61	5.74			
ZXD060BE	27	10.37	12.69	15.70	18.80	22.69	24.24	3.80	4.18	4.49	4.58	4.62	4.86
	32	9.85	12.20	15.23	17.91	21.39	22.78	4.33	4.74	5.15	5.11	5.14	5.40
	38	9.07	11.50	14.19	16.64	19.76	21.01	4.81	5.27	5.65	5.64	5.75	6.03
	43	8.41	10.59	12.99	15.41	18.34	19.52	5.40	5.72	5.99	6.06	6.26	6.54
	48		9.93	12.07					6.67	6.85			
ZXD075BE	27	12.99	15.24	17.78	20.67			4.92	5.09	5.19	5.28		
	32	12.35	14.49	16.87	19.56			5.61	5.71	5.83	5.86		
	38	11.35	13.34	15.51	17.92			6.22	6.19	6.30	6.37		
	43		12.30	14.28	16.44				6.73	6.72	6.78		
	48												
ZXD076BE	27	13.25	15.54	18.13	21.09	24.47	25.82	4.82	4.98	5.09	5.18	5.14	5.33
	32	12.59	14.78	17.21	19.96	23.07	24.32	5.50	5.59	5.71	5.74	5.71	5.94
	38	11.57	13.60	15.82	18.28	21.06	22.17	6.10	6.07	6.17	6.24	6.31	6.56
	43	10.67	12.55	14.57	16.77	19.23	20.22	6.80	6.60	6.58	6.65	6.75	6.98
	48		11.54	13.33					7.45	7.26			

Notes: The rating condition is based on suction superheat of 10K and return gas temperature of 18.3°C.
 Power includes condenser fan.
 Ambient 38°C and 43°C are typical design conditions for unit selection.

ZXD Family: Digital Medium Temperature

Capacity and Power (kW) at 60 Hz - TF5/TF7

R407F

Model	Ambient Temperature (°C)	Capacity Evaporating Temperature (°C)						Power Evaporating Temperature (°C)					
		-10	-5	0	5	10	12	-10	-5	0	5	10	12
ZXD030BE ¹	27	6.92	8.06	9.40	10.99	12.90	13.76	2.64	2.82	2.97	3.13	3.40	3.55
	32	6.66	7.78	9.01	10.41	12.04	12.78	2.85	3.05	3.20	3.39	3.67	3.83
	38	6.20	7.32	8.45	9.64	10.98	11.56	3.13	3.35	3.54	3.75	4.08	4.25
	43		6.84	7.90					3.65	3.86			
	48												
ZXD040BE	27	8.60	10.44	13.18	15.58	18.18	19.27	3.41	3.64	3.82	4.01	4.11	4.12
	32	8.06	10.00	12.66	14.98	17.45	18.48	3.82	3.96	4.14	4.37	4.56	4.61
	38	7.46	9.27	11.81	13.98	16.25	17.18	4.23	4.39	4.56	4.82	5.08	5.17
	43	6.78	8.56	10.98	13.02	15.12	15.97	4.74	4.85	4.98	5.26	5.57	5.69
	48		7.81	10.10					5.42	5.51			
ZXD050BE	27	10.48	12.81	15.33	18.01	21.19	22.46	4.33	4.53	4.72	4.90	5.04	5.06
	32	9.98	12.32	14.87	17.30	20.30	21.50	4.69	4.93	5.16	5.33	5.58	5.64
	38	8.93	11.36	13.96	16.29	19.08	20.20	5.28	5.44	5.74	5.95	6.28	6.40
	43	8.20	10.42	12.89	15.29	18.04	19.14	5.97	5.97	6.23	6.53	6.98	7.16
	48		9.60	11.87					6.73	6.90			
ZXD060BE	27	12.12	14.84	17.90	21.44	25.87	27.64	4.75	5.22	5.62	5.72	5.77	6.06
	32	11.53	14.28	17.36	20.42	24.39	25.98	5.40	5.93	6.45	6.40	6.43	6.76
	38	10.62	13.45	16.18	18.97	22.53	23.95	6.02	6.58	7.06	7.04	7.17	7.53
	43	9.84	12.40	14.81	17.57	20.92	22.26	6.75	7.14	7.49	7.77	8.22	8.69
	48		11.62	13.76					8.34	8.57			
ZXD075BE	27	15.21	17.84	19.95	23.19	26.90	28.53	6.22	6.42	6.62	6.73	6.68	6.97
	32	14.46	16.96	18.93	21.95	25.38	26.88	7.09	7.21	7.42	7.47	7.45	7.79
	38	13.28	15.62	17.40	20.12	23.18	24.52	7.86	7.83	8.02	8.12	8.21	8.57
	43	12.25	14.41	16.02	18.44	21.15	22.32	8.78	8.51	8.56	8.64	8.77	9.09
	48		13.26	14.68					9.60	9.46			

Notes: ¹Available on TF7 models only.
 The rating condition is based on suction superheat of 10K
 ZXD030BE rating condition is based on return gas temperature of 18.3°C.
 Power includes condenser fan.
 Ambient 38°C and 43°C are typical design conditions for unit selection.

ZXL Family: Low Temperature

Capacity and Power (kW) at 50 Hz - PFJ

R22

Model	Ambient Temperature (°C)	Capacity Evaporating Temperature (°C)										Power Evaporating Temperature (°C)									
		-40	-35	-30	-25	-20	-15	-10	-5	0	-40	-35	-30	-25	-20	-15	-10	-5	0		
ZXL020B0	20	1.24	1.58	1.99	2.48	3.04	3.67	4.36	5.10	5.86	1.14	1.22	1.22	1.19	1.18	1.22	1.38	1.67	2.13		
	27	1.18	1.54	1.97	2.46	3.01	3.64	4.31	5.01	5.75	1.28	1.45	1.53	1.55	1.57	1.63	1.76	2.00	2.37		
	32	1.16	1.54	1.98	2.48	3.03	3.64	4.30	4.99	5.70	1.30	1.52	1.62	1.68	1.71	1.76	1.88	2.09	2.43		
	38	1.14	1.55	2.00	2.50	3.06	3.65	4.29	4.95	5.62	1.34	1.60	1.75	1.81	1.85	1.90	2.00	2.18	2.48		
	43	1.10	1.53	1.99	2.50	3.04	3.63	4.25	4.89	5.55	1.48	1.80	1.95	2.02	2.05	2.08	2.15	2.30	2.56		
	48	1.01	1.46	1.86	2.38	2.95	3.56				1.84	2.19	2.28	2.32	2.38	2.41					
ZXL025B0	20	1.80	2.22	2.71	3.31	4.00	4.78	5.64	6.59	7.59	1.07	1.16	1.25	1.33	1.40	1.46	1.53	1.58	1.63		
	27	1.60	1.99	2.48	3.07	3.74	4.51	5.35	6.26	7.23	1.37	1.46	1.54	1.62	1.69	1.75	1.81	1.86	1.91		
	32	1.60	1.98	2.45	3.02	3.67	4.40	5.21	6.09	7.02	1.58	1.67	1.75	1.83	1.90	1.97	2.04	2.10	2.16		
	38	1.68	2.04	2.48	3.01	3.62	4.30	5.05	5.87	6.73	1.84	1.93	2.02	2.11	2.19	2.27	2.35	2.43	2.50		
	43	1.71	2.04	2.45	2.94	3.51	4.14	4.84	5.59	6.39	2.08	2.18	2.28	2.39	2.48	2.57	2.67	2.76	2.85		
	48	1.64	1.93	2.18	2.63	3.25	3.83				2.36	2.48	2.63	2.73	2.83	2.93					
ZXL030BE	20	1.48	2.15	2.81	3.49	4.24	5.06	5.97	6.97	8.08	1.52	1.62	1.67	1.70	1.73	1.78	1.87	2.05	2.30		
	27	1.49	2.18	2.85	3.54	4.26	5.06	5.92	6.86	7.90	1.65	1.81	1.90	1.97	2.02	2.08	2.19	2.36	2.60		
	32	1.47	2.18	2.87	3.56	4.27	5.04	5.87	6.77	7.78	1.74	1.94	2.06	2.15	2.22	2.29	2.40	2.57	2.80		
	38	1.42	2.16	2.86	3.55	4.25	4.99	5.79	6.65	7.61	1.91	2.14	2.30	2.41	2.49	2.58	2.68	2.84	3.06		
	43	1.34	2.10	2.81	3.51	4.21	4.92	5.70	6.54	7.45	2.12	2.39	2.57	2.69	2.78	2.87	2.97	3.12	3.34		
	48	1.21	2.00	2.63	2.85	4.09	4.83				2.44	2.74	2.94	3.06	3.16	3.25					

Note: The rating condition is based on a return gas temperature of 5°C.
 Power includes condenser fan.
 Ambient 38 °C and 43°C are typical design conditions for unit selection.

ZXL Family: Low Temperature

Capacity and Power (kW) at 50 Hz - TFD

R22

Model	Ambient Temperature (°C)	Capacity									Power								
		Evaporating Temperature (°C)									Evaporating Temperature (°C)								
		-40	-35	-30	-25	-20	-15	-10	-5	0	-40	-35	-30	-25	-20	-15	-10	-5	0
ZXL020B0	20	1.35	1.57	1.90	2.28	2.76	3.30	3.93	4.64	5.41	0.94	1.03	1.12	1.19	1.26	1.31	1.36	1.40	1.43
	27	1.32	1.55	1.87	2.26	2.73	3.27	3.89	4.59	5.36	1.10	1.20	1.29	1.36	1.43	1.49	1.55	1.59	1.63
	32	1.32	1.55	1.86	2.24	2.70	3.24	3.85	4.54	5.31	1.26	1.36	1.45	1.53	1.61	1.67	1.73	1.78	1.81
	38	1.26	1.48	1.78	2.15	2.61	3.13	3.74	4.42	5.18	1.51	1.61	1.71	1.79	1.87	1.94	2.00	2.05	2.09
	43	1.15	1.36	1.66	2.03	2.47	2.99	3.59	4.27	5.02	1.76	1.87	1.97	2.05	2.13	2.21	2.27	2.32	2.37
	48	0.99	1.20	1.49	1.85	2.29	2.81				2.05	2.16	2.26	2.35	2.44	2.51			
ZXL025B0	20	1.65	1.90	2.20	2.70	3.40	4.10	4.85	5.73	6.72	1.18	1.28	1.38	1.48	1.57	1.65	1.74	1.81	1.89
	27	1.61	1.87	2.12	2.67	3.31	4.03	4.84	5.72	6.69	1.32	1.40	1.49	1.57	1.64	1.71	1.78	1.84	1.90
	32	1.56	1.82	2.09	2.63	3.26	3.97	4.76	5.63	6.58	1.51	1.59	1.66	1.72	1.79	1.85	1.90	1.95	2.00
	38	1.42	1.68	1.97	2.49	3.10	3.79	4.56	5.42	6.36	1.85	1.91	1.97	2.02	2.07	2.11	2.15	2.19	2.22
	43	1.23	1.48	1.79	2.30	2.89	3.57	4.33	5.17	6.09	2.22	2.27	2.31	2.35	2.39	2.43	2.45	2.48	2.50
	48	1.10	1.28	1.54	2.03	2.61	3.27				2.66	2.70	2.74	2.77	2.79	2.82			
ZXL030B0	20	1.94	2.29	2.67	3.17	3.78	4.48	5.40	6.52	8.06	1.28	1.45	1.60	1.74	1.87	1.99	2.09	2.18	2.26
	27	1.90	2.19	2.58	3.08	3.69	4.40	5.20	6.44	7.85	1.36	1.52	1.67	1.80	1.92	2.03	2.13	2.21	2.28
	32	1.80	2.09	2.49	2.99	3.60	4.32	5.14	6.06	7.63	1.55	1.70	1.85	1.98	2.09	2.20	2.29	2.37	2.43
	38	1.58	1.87	2.27	2.77	3.39	4.10	4.92	5.85	7.30	1.92	2.07	2.21	2.33	2.45	2.54	2.63	2.70	2.76
	43	1.31	1.59	1.99	2.50	3.11	3.83	4.65	5.58	6.95	2.36	2.51	2.64	2.76	2.86	2.96	3.04	3.11	3.16
	48	1.21	1.35	1.63	2.13	2.75	3.47				2.91	3.05	3.18	3.29	3.39	3.48			
ZXL035B0	20	2.56	2.90	3.44	4.15	5.01	5.98	7.03	8.14	9.26	1.68	1.73	1.79	1.88	1.98	2.09	2.22	2.37	2.52
	27	2.29	2.64	3.19	3.91	4.76	5.71	6.75	7.83	8.92	1.81	1.87	1.95	2.05	2.17	2.30	2.44	2.60	2.76
	32	2.12	2.47	3.02	3.72	4.56	5.49	6.50	7.55	8.62	2.08	2.16	2.25	2.36	2.48	2.62	2.78	2.94	3.11
	38	1.93	2.27	2.80	3.48	4.28	5.19	6.16	7.16	8.18	2.52	2.60	2.71	2.82	2.96	3.11	3.27	3.44	3.63
	43	1.78	2.09	2.59	3.25	4.02	4.89	5.81	6.77	7.73	2.88	2.97	3.09	3.21	3.35	3.51	3.68	3.86	4.05
	48	1.61	1.90	2.37	2.98	3.71	4.53				3.18	3.28	3.40	3.53	3.68	3.84			
ZXL040B0	20	3.18	3.85	4.64	5.56	6.60	7.77	9.06	10.48	12.03	1.94	2.08	2.22	2.38	2.54	2.70	2.88	3.06	3.25
	27	2.80	3.42	4.16	5.03	6.02	7.14	8.39	9.76	11.26	2.27	2.43	2.59	2.76	2.94	3.12	3.32	3.52	3.73
	32	2.58	3.17	3.87	4.71	5.67	6.76	7.97	9.31	10.77	2.58	2.75	2.93	3.11	3.30	3.50	3.71	3.92	4.15
	38	2.39	2.93	3.59	4.39	5.31	6.35	7.52	8.82	10.25	3.04	3.23	3.42	3.62	3.83	4.04	4.27	4.50	4.73
	43	2.27	2.78	3.41	4.17	5.06	6.07	7.21	8.47	9.86	3.50	3.69	3.90	4.11	4.33	4.56	4.80	5.04	5.30
	48	2.21	2.68	3.28	4.01	4.86	5.83				4.01	4.22	4.44	4.67	4.91	5.15			
ZXL050B0	20	3.50	4.30	5.30	6.40	7.73	9.08	10.62	12.33	14.21	2.05	2.24	2.42	2.59	2.77	2.96	3.16	3.37	3.60
	27	3.12	3.84	4.73	5.79	7.01	8.39	9.92	11.60	13.42	2.56	2.72	2.87	3.03	3.20	3.38	3.57	3.79	4.02
	32	2.79	3.56	4.48	5.56	6.77	8.12	9.60	11.21	12.94	2.89	3.04	3.19	3.35	3.53	3.71	3.92	4.15	4.41
	38	2.65	3.43	4.35	5.38	6.53	7.79	9.15	10.61	12.17	3.30	3.46	3.62	3.79	3.99	4.20	4.43	4.70	4.99
	43	2.56	3.31	4.16	5.00	6.16	7.30	8.52	9.81	11.18	3.68	3.85	4.04	4.24	4.46	4.70	4.98	5.28	5.62
	48	2.30	2.97	3.73	4.56	5.57	6.60				4.12	4.32	4.54	4.78	5.04	5.33			
ZXL060B0	20	3.70	4.70	5.84	7.14	8.63	10.32	12.23	14.38	16.78	2.56	2.72	2.89	3.09	3.32	3.57	3.85	4.16	4.50
	27	3.51	4.44	5.51	6.72	8.09	9.66	11.42	13.41	15.64	3.21	3.37	3.55	3.75	3.97	4.22	4.49	4.78	5.11
	32	3.44	4.35	5.37	6.53	7.85	9.34	11.02	12.91	15.03	3.58	3.76	3.96	4.17	4.40	4.66	4.94	5.24	5.56
	38	3.28	4.17	5.17	6.29	7.55	8.98	10.58	12.37	14.38	4.05	4.27	4.51	4.76	5.02	5.30	5.60	5.93	6.28
	43	2.96	3.86	4.85	5.96	7.19	8.57	10.12	11.85	13.78	4.58	4.85	5.13	5.42	5.72	6.04	6.38	6.73	7.11
	48	2.71	3.50	4.29	5.39	6.60	7.96				5.32	5.65	5.98	6.33	6.68	7.05			
ZXL075B0	20	4.20	5.60	6.90	8.00	9.50	11.43	13.31	15.49	17.97	3.02	3.17	3.34	3.53	3.74	3.99	4.27	4.60	4.96
	27	4.00	5.16	6.18	7.43	8.91	10.80	12.58	14.78	17.24	3.51	3.68	3.87	4.08	4.33	4.61	4.93	5.29	5.70
	32	3.76	4.71	5.84	7.17	8.68	10.40	12.31	14.44	16.78	3.88	4.06	4.28	4.52	4.79	5.10	5.45	5.84	6.28
	38	3.52	4.55	5.71	7.02	8.48	10.09	11.86	13.80	15.90	4.40	4.61	4.85	5.12	5.43	5.77	6.16	6.59	7.08
	43	3.41	4.42	5.53	6.75	8.07	9.52	11.08	12.76	14.58	4.93	5.17	5.43	5.73	6.07	6.45	6.87	7.34	7.86
	48	3.12	4.04	5.01	6.06	7.50	8.70				5.58	5.85	6.14	6.47	6.84	7.25			

Note: The rating condition is based on the return gas temperature of 5°C.
 Power includes condenser fan.
 Ambient 38°C and 43°C are typical design conditions for unit selection.

ZXL Family: Low Temperature

Capacity and Power (kW) at 60 Hz - TF5/TF7

R22

Model	Ambient Temperature (°C)	Capacity Evaporating Temperature (°C)									Power Evaporating Temperature (°C)								
		-40	-35	-30	-25	-20	-15	-10	-5	0	-40	-35	-30	-25	-20	-15	-10	-5	0
ZXL020BE	20	1.51	1.95	2.44	3.02	3.69	4.48	5.41	6.50	7.76	1.40	1.46	1.51	1.56	1.61	1.66	1.71	1.77	1.84
	27	1.34	1.81	2.32	2.89	3.53	4.27	5.13	6.12	7.26	1.59	1.65	1.71	1.76	1.82	1.88	1.94	2.01	2.10
	32	1.28	1.78	2.30	2.86	3.49	4.19	5.00	5.92	6.99	1.74	1.80	1.86	1.92	1.98	2.05	2.12	2.20	2.30
	38	1.21	1.74	2.28	2.84	3.44	4.11	4.85	5.70	6.67	1.95	2.01	2.07	2.14	2.21	2.29	2.37	2.47	2.58
	43	1.11	1.67	2.22	2.78	3.36	4.00	4.69	5.48	6.37	2.17	2.23	2.30	2.37	2.45	2.54	2.62	2.74	2.88
	48	0.92	1.51	2.07	2.63	3.20	3.81	4.46	5.18	5.99	2.45	2.52	2.59	2.67	2.76	2.85	2.94	3.07	3.23
ZXL025BE	20	2.40	2.52	2.93	3.56	4.37	5.33	6.41	7.56	8.77	1.85	1.89	1.91	1.98	1.99	2.02	2.07	2.14	2.23
	27	2.38	2.50	2.88	3.47	4.24	5.16	6.19	7.29	8.44	2.02	2.03	2.05	2.09	2.14	2.20	2.29	2.40	2.53
	32	2.36	2.48	2.82	3.38	4.11	4.99	5.97	7.03	8.13	2.23	2.25	2.29	2.33	2.40	2.48	2.58	2.70	2.84
	38	2.34	2.46	2.75	3.26	3.93	4.75	5.67	6.67	7.70	2.62	2.65	2.68	2.73	2.80	2.88	2.98	3.10	3.25
	43	2.31	2.44	2.71	3.16	3.78	4.54	5.41	6.33	7.30	3.01	3.02	3.05	3.09	3.14	3.21	3.29	3.43	3.59
	48	2.30	2.43	2.69	3.08	3.64	4.34	5.13	5.99	6.88	3.38	3.39	3.39	3.41	3.44	3.49	3.59	3.71	3.88
ZXL030BE	20	2.73	2.87	3.34	4.06	4.98	6.08	7.31	8.62	9.99	1.92	1.97	1.99	2.06	2.07	2.10	2.15	2.22	2.32
	27	2.72	2.86	3.28	3.96	4.84	5.88	7.05	8.31	9.62	2.10	2.11	2.13	2.17	2.22	2.29	2.38	2.49	2.63
	32	2.69	2.83	3.22	3.85	4.69	5.69	6.81	8.02	9.27	2.32	2.34	2.38	2.43	2.49	2.58	2.68	2.80	2.95
	38	2.68	2.81	3.14	3.71	4.48	5.42	6.47	7.60	8.78	2.73	2.75	2.79	2.84	2.91	2.99	3.10	3.23	3.38
	43	2.66	2.80	3.09	3.60	4.31	5.18	6.16	7.22	8.32	3.13	3.14	3.17	3.21	3.27	3.34	3.43	3.56	3.74
	48	2.65	2.79	3.07	3.52	4.15	4.95	5.85	6.83	7.84	3.52	3.52	3.53	3.54	3.58	3.63	3.73	3.86	4.03
ZXL035BE	20	3.34	3.48	4.04	4.91	6.03	7.36	8.84	10.43	12.09	2.25	2.30	2.32	2.41	2.42	2.46	2.52	2.60	2.72
	27	3.32	3.46	3.97	4.79	5.85	7.12	8.54	10.06	11.64	2.46	2.47	2.50	2.54	2.60	2.68	2.78	2.92	3.07
	32	3.30	3.45	3.90	4.66	5.67	6.88	8.24	9.70	11.22	2.71	2.74	2.78	2.84	2.92	3.01	3.14	3.28	3.46
	38	3.29	3.45	3.80	4.49	5.43	6.55	7.83	9.20	10.62	3.19	3.22	3.26	3.33	3.40	3.50	3.63	3.78	3.95
	43	3.27	3.42	3.74	4.36	5.22	6.27	7.46	8.74	10.07	3.66	3.68	3.71	3.76	3.82	3.91	4.02	4.18	4.38
	48	3.26	3.40	3.72	4.25	5.03	5.98	7.09	8.27	9.50	4.11	4.12	4.13	4.15	4.19	4.25	4.37	4.53	4.73
ZXL040BE	20	4.57	4.88	5.55	6.54	7.83	9.39	11.19	13.21	15.43	2.78	2.87	2.96	3.06	3.14	3.19	3.24	3.29	3.34
	27	3.90	4.41	5.21	6.29	7.62	9.16	10.90	12.81	14.86	2.98	3.08	3.22	3.36	3.49	3.58	3.66	3.74	3.86
	32	3.61	4.21	5.07	6.17	7.48	8.97	10.62	12.41	14.29	3.25	3.38	3.55	3.72	3.88	3.98	4.08	4.19	4.29
	38	3.36	4.02	4.90	5.98	7.22	8.60	10.10	11.68	13.33	3.71	3.88	4.07	4.27	4.45	4.57	4.68	4.80	4.92
	43	3.16	3.83	4.69	5.70	6.85	8.10	9.43	10.81	12.21	4.17	4.36	4.58	4.80	4.98	5.11	5.23	5.36	5.49
	48	2.88	3.53	4.33	5.25	6.27	7.35	8.47	9.61	10.73	4.68	4.89	5.13	5.35	5.54	5.67	5.80	5.93	6.06
ZXL050BE	20	4.80	5.82	6.84	7.99	9.47	11.27	13.38	15.79	18.50	2.81	2.97	3.19	3.41	3.60	3.73	3.79	3.84	3.90
	27	4.28	4.98	5.94	7.18	8.66	10.40	12.37	14.57	16.99	3.25	3.43	3.65	3.86	4.05	4.20	4.27	4.34	4.40
	32	3.90	4.71	5.73	6.97	8.42	10.06	11.88	13.88	16.04	3.57	3.76	3.98	4.21	4.42	4.58	4.67	4.77	4.86
	38	3.73	4.62	5.67	6.86	8.20	9.66	11.25	12.95	14.76	4.01	4.22	4.47	4.73	4.97	5.17	5.31	5.45	5.59
	43	3.64	4.55	5.56	6.67	7.87	9.15	10.49	11.95	13.51	4.47	4.71	5.00	5.29	5.58	5.83	5.95	6.08	6.20
	48	3.38	4.27	5.22	6.20	7.22	8.27	9.43	10.60	11.84	5.07	5.36	5.69	6.04	6.38	6.69	6.85	7.01	7.16
ZXL060BE	20	5.71	6.97	8.14	9.51	11.27	13.41	15.92	18.79	22.02	3.58	3.83	4.12	4.40	4.64	4.82	4.89	4.96	5.03
	27	5.09	5.92	7.07	8.54	10.31	12.37	14.72	17.34	20.22	4.19	4.43	4.71	4.98	5.23	5.41	5.50	5.59	5.68
	32	4.64	5.60	6.82	8.30	10.02	11.97	14.13	16.51	19.09	4.60	4.85	5.14	5.43	5.70	5.91	6.03	6.15	6.27
	38	4.44	5.50	6.75	8.17	9.76	11.50	13.39	15.41	17.56	5.17	5.44	5.76	6.10	6.41	6.67	6.85	6.91	6.98
	43	4.33	5.41	6.62	7.94	9.37	10.89	12.48	14.22	16.07	5.76	6.08	6.45	6.83	7.20	7.52	7.68	7.85	8.03
	48	4.03	5.09	6.21	7.38	8.60	9.84	11.21	12.61	14.08	6.54	6.91	7.34	7.79	8.23	8.62	8.83	9.09	9.35
ZXL075BE	20	6.05	7.30	8.62	10.08	11.94	14.21	16.88	19.92	23.34	3.93	4.22	4.53	4.84	5.11	5.30	5.38	5.46	5.53
	27	5.40	6.28	7.50	9.05	10.93	13.12	15.60	18.38	21.44	4.61	4.87	5.18	5.48	5.75	5.96	6.05	6.15	6.25
	32	4.91	5.93	7.23	8.80	10.62	12.68	14.98	17.50	20.23	5.06	5.34	5.65	5.97	6.27	6.50	6.63	6.76	6.90
	38	4.71	5.83	7.15	8.66	10.34	12.19	14.19	16.34	18.61	5.68	5.99	6.34	6.71	7.05	7.34	7.54	7.73	7.93
	43	4.59	5.74	7.02	8.42	9.93	11.54	13.23	15.08	17.04	6.34	6.69	7.09	7.51	7.92	8.27	8.45	8.63	8.80
	48	4.27	5.39	6.58	7.82	9.11	10.43	11.89	13.38	14.93	7.19	7.60	8.07	8.57	9.05	9.49	9.71	9.94	10.17

Note: The rating condition is based on the return gas temperature of 5°C.
 Power includes condenser fan.
 Ambient 38°C and 43°C are typical design conditions for unit selection.

ZXL Family: Low Temperature

Capacity and Power (kW) at 50 Hz - PFJ

R404A

Model	Ambient Temperature (°C)	Capacity Evaporating Temperature (°C)										Power Evaporating Temperature (°C)									
		-40	-35	-30	-25	-20	-15	-10	-5	0	-40	-35	-30	-25	-20	-15	-10	-5	0		
ZXL020BE	20	1.42	1.80	2.26	2.80	3.42	4.12	4.88	5.70	6.54	1.31	1.40	1.40	1.37	1.35	1.40	1.58	1.92	2.45		
	27	1.32	1.71	2.18	2.71	3.31	3.98	4.70	5.45	6.24	1.46	1.65	1.74	1.77	1.79	1.85	2.00	2.27	2.70		
	32	1.27	1.68	2.15	2.68	3.26	3.90	4.58	5.30	6.04	1.48	1.72	1.84	1.90	1.93	1.99	2.12	2.36	2.75		
	38	1.21	1.64	2.11	2.62	3.19	3.79	4.43	5.10	5.77	1.52	1.81	1.97	2.04	2.08	2.13	2.24	2.44	2.78		
	43	1.14	1.57	2.04	2.54	3.08	3.66	4.26	4.88	5.51	1.66	2.02	2.19	2.26	2.29	2.32	2.39	2.56	2.85		
	48	1.01	1.45	1.84	2.34	2.88	3.46				2.06	2.45	2.54	2.58	2.64	2.67					
ZXL025BE	20	2.07	2.53	3.08	3.75	4.51	5.37	6.32	7.36	8.47	1.23	1.33	1.43	1.52	1.61	1.68	1.76	1.82	1.88		
	27	1.79	2.22	2.75	3.38	4.11	4.93	5.83	6.81	7.85	1.57	1.66	1.75	1.84	1.92	1.99	2.06	2.12	2.18		
	32	1.75	2.16	2.66	3.26	3.94	4.71	5.56	6.47	7.45	1.79	1.89	1.98	2.07	2.15	2.23	2.30	2.37	2.44		
	38	1.79	2.16	2.61	3.15	3.77	4.46	5.22	6.04	6.91	2.08	2.18	2.28	2.37	2.46	2.55	2.63	2.72	2.80		
	43	1.77	2.10	2.51	2.99	3.55	4.17	4.85	5.58	6.35	2.34	2.45	2.56	2.67	2.77	2.87	2.97	3.07	3.17		
	48	1.64	1.92	2.16	2.59	3.18	3.72				2.64	2.77	2.93	3.04	3.14	3.25					
ZXL030BE	20	1.70	2.45	3.19	3.95	4.78	5.68	6.68	7.79	9.02	1.75	1.86	1.92	1.95	1.98	2.04	2.15	2.35	2.65		
	27	1.67	2.43	3.16	3.90	4.68	5.53	6.45	7.46	8.58	1.88	2.06	2.17	2.24	2.30	2.37	2.49	2.68	2.96		
	32	1.61	2.38	3.11	3.84	4.59	5.39	6.26	7.20	8.25	1.98	2.20	2.34	2.43	2.51	2.59	2.71	2.90	3.17		
	38	1.51	2.29	3.01	3.72	4.43	5.18	5.98	6.85	7.81	2.16	2.42	2.59	2.71	2.80	2.89	3.01	3.18	3.43		
	43	1.39	2.16	2.88	3.57	4.26	4.96	5.71	6.52	7.40	2.39	2.68	2.88	3.01	3.11	3.20	3.31	3.47	3.71		
	48	1.21	1.99	2.60	2.80	4.00	4.69				2.73	3.06	3.28	3.41	3.51	3.60					

Note: The rating condition is based on a return gas temperature of 5°C.
 Power includes condenser fan.
 Ambient 38°C and 43°C are typical design conditions for unit selection.

ZXL Family: Low Temperature

Capacity and Power (kW) at 50 Hz - TFD

R404A

Model	Ambient Temperature (°C)	Capacity Evaporating Temperature (°C)									Power Evaporating Temperature (°C)								
		-40	-35	-30	-25	-20	-15	-10	-5	0	-40	-35	-30	-25	-20	-15	-10	-5	0
ZXL020BE	20	1.83	2.17	2.55	2.97	3.42	3.92	4.46	5.04	5.66	1.22	1.36	1.50	1.65	1.70	1.95	2.12	2.28	2.38
	27	1.66	2.02	2.42	2.86	3.34	3.86	4.42	5.02	5.66	1.35	1.47	1.60	1.73	1.86	2.00	2.14	2.29	2.44
	32	1.45	1.82	2.24	2.70	3.19	3.73	4.31	4.92	5.58	1.50	1.60	1.71	1.83	1.95	2.08	2.21	2.34	2.48
	38	1.25	1.49	1.93	2.40	2.92	3.47	4.07	4.70	5.38	1.72	1.81	1.91	2.01	2.12	2.23	2.34	2.46	2.59
	43	1.10	1.23	1.58	2.07	2.60	3.18	3.79	4.44	5.13	1.95	2.03	2.11	2.20	2.30	2.39	2.50	2.60	2.72
	48	0.99	1.12	1.16	1.67	2.21	2.80				2.22	2.29	2.36	2.44	2.52	2.60			
ZXL025BE	20	2.00	2.36	2.86	3.44	4.10	4.83	5.64	6.53	7.49	1.34	1.46	1.55	1.66	1.76	2.10	2.33	2.44	2.54
	27	1.89	2.31	2.80	3.37	4.02	4.74	5.54	6.42	7.37	1.59	1.68	1.77	1.87	1.97	2.23	2.36	2.50	2.64
	32	1.80	2.26	2.74	3.30	3.94	4.65	5.44	6.31	7.25	1.84	1.90	1.99	2.08	2.18	2.35	2.48	2.61	2.74
	38	1.63	2.03	2.50	3.05	3.68	4.38	5.15	6.01	6.94	2.12	2.16	2.22	2.31	2.41	2.61	2.72	2.84	2.96
	43	1.31	1.70	2.16	2.70	3.31	4.01	4.77	5.62	6.54	2.44	2.45	2.50	2.57	2.67	2.90	3.01	3.11	3.22
	48	1.20	1.24	1.69	2.22	2.82	3.51				2.89	2.90	2.91	2.98	3.08	3.28			
ZXL030BE	20	2.23	2.87	3.62	4.45	5.35	6.30	7.29	8.30	9.31	1.55	1.73	1.90	2.07	2.10	2.39	2.53	2.60	2.70
	27	2.09	2.58	3.17	3.85	4.60	5.41	6.25	7.61	8.67	1.67	1.84	2.00	2.15	2.30	2.45	2.58	2.71	2.83
	32	2.08	2.49	3.00	3.60	4.27	5.00	5.77	7.35	8.38	1.89	2.05	2.20	2.35	2.49	2.62	2.75	2.87	2.99
	38	2.00	2.33	2.77	3.31	3.92	4.59	5.31	6.95	7.95	2.31	2.45	2.60	2.73	2.86	2.99	3.10	3.21	3.32
	43	1.73	2.03	2.44	2.95	3.54	4.19	4.89	6.55	7.52	2.77	2.91	3.05	3.18	3.30	3.41	3.52	3.62	3.72
	48	1.50	1.70	2.00	2.38	2.96	3.61				3.36	3.49	3.61	3.73	3.84	3.95			
ZXL035BE	20	2.70	3.47	4.25	5.07	5.95	6.92	8.00	9.22	10.62	1.91	1.95	2.03	2.30	2.50	2.70	2.80	3.00	3.20
	27	2.55	3.31	4.07	4.85	5.69	6.61	7.63	8.78	10.09	2.26	2.33	2.43	2.56	2.72	2.90	3.08	3.27	3.47
	32	2.47	3.20	3.94	4.68	5.48	6.35	7.31	8.40	9.63	2.59	2.67	2.79	2.93	3.11	3.31	3.52	3.74	3.96
	38	2.37	3.08	3.75	4.45	5.17	5.97	6.85	7.84	8.98	3.00	3.09	3.22	3.38	3.58	3.79	4.03	4.28	4.53
	43	2.28	2.94	3.57	4.20	4.86	5.59	6.38	7.29	8.33	3.31	3.40	3.58	3.70	3.91	4.14	4.39	4.66	4.94
	48	2.17	2.76	3.33	3.89	4.48	5.12				4.00	4.15	4.30	4.45	4.50	4.60			
ZXL040BE	20	3.78	4.51	5.38	6.38	7.49	8.71	10.01	11.39	12.84	2.45	2.70	2.75	3.01	3.05	3.12	3.90	4.07	4.20
	27	3.24	3.99	4.86	5.85	6.93	8.10	9.35	10.66	12.01	2.69	2.88	3.10	3.34	3.40	3.50	4.10	4.31	4.50
	32	3.02	3.77	4.63	5.58	6.63	7.75	8.93	10.16	11.43	2.99	3.17	3.39	3.64	3.90	4.17	4.43	4.67	4.88
	38	2.85	3.56	4.37	5.27	6.25	7.28	8.36	9.48	10.63	3.54	3.70	3.91	4.15	4.41	4.68	4.94	5.19	5.41
	43	2.67	3.34	4.10	4.93	5.83	6.77	7.75	8.76	9.78	4.08	4.22	4.40	4.62	4.87	5.12	5.38	5.63	5.85
	48	2.38	2.99	3.68	4.43	5.23	6.06				4.63	4.73	4.88	5.07	5.29	5.52			
ZXL050BE	20	4.42	5.18	6.21	7.47	8.91	10.50	12.20	13.98	15.78	2.70	3.00	3.20	3.40	3.65	3.80	4.20	4.50	4.70
	27	3.80	4.58	5.58	6.78	8.12	9.57	11.09	12.64	14.19	2.92	3.16	3.39	3.62	3.86	4.09	4.40	4.58	4.83
	32	3.52	4.31	5.29	6.43	7.69	9.04	10.42	11.81	13.17	3.26	3.49	3.72	3.96	4.20	4.46	4.72	5.00	5.29
	38	3.25	4.03	4.98	6.06	7.22	8.43	9.65	10.84	11.97	3.88	4.10	4.33	4.57	4.83	5.11	5.41	5.73	6.07
	43	2.99	3.77	4.69	5.71	6.78	7.87	8.95	9.97	10.89	4.43	4.64	4.87	5.12	5.40	5.70	6.03	6.39	6.77
	48	2.63	3.40	4.28	5.23	6.21	7.19				4.89	5.10	5.33	5.59	5.88	6.21			
ZXL060BE	20	4.84	5.80	6.92	8.19	9.59	11.11	12.72	14.41	16.16	3.00	3.20	3.50	3.76	3.90	4.15	4.41	4.67	5.20
	27	4.49	5.51	6.68	7.99	9.42	10.95	12.57	14.27	16.01	3.62	3.84	4.08	4.36	4.66	4.97	5.30	5.63	5.97
	32	4.30	5.32	6.48	7.77	9.17	10.67	12.26	13.91	15.60	4.04	4.27	4.53	4.83	5.16	5.51	5.88	6.27	6.66
	38	4.07	5.02	6.12	7.34	8.66	10.08	11.57	13.11	14.70	4.60	4.84	5.12	5.44	5.80	6.19	6.61	7.05	7.51
	43	3.81	4.67	5.67	6.79	8.00	9.30	10.67	12.09	13.54	5.17	5.41	5.69	6.03	6.42	6.84	7.30	7.78	8.29
	48	3.42	4.16	5.03	6.00	7.07	8.22				5.88	6.11	6.41	6.76	7.16	7.61			
ZXL075BE	20	5.50	6.64	7.94	9.41	11.06	12.91	14.96	17.24	19.75	3.47	3.73	4.01	4.31	4.64	4.98	5.34	5.70	6.09
	27	4.99	6.14	7.42	8.84	10.40	12.13	14.03	16.12	18.41	3.93	4.20	4.51	4.84	5.21	5.59	6.01	6.44	6.89
	32	4.75	5.90	7.14	8.50	9.99	11.61	13.39	15.33	17.45	4.35	4.63	4.94	5.30	5.68	6.10	6.55	7.03	7.53
	38	4.49	5.61	6.80	8.08	9.46	10.94	12.55	14.30	16.19	4.98	5.25	5.58	5.95	6.36	6.81	7.30	7.83	8.38
	43	4.21	5.30	6.43	7.63	8.90	10.25	11.71	13.28	14.97	5.61	5.89	6.22	6.60	7.03	7.51	8.03	8.59	9.19
	48	3.81	4.85	5.91	7.01	8.16	9.38				6.38	6.65	6.98	7.38	7.82	8.32			

Notes: The rating condition is based on the return gas temperature of 5°C.
 Power includes condenser fan.
 Ambient 38°C and 43°C are typical design conditions for unit selection.

ZXL Family: Low Temperature

Capacity and Power (kW) at 60 Hz- TF5/ TF7

R404A

Model	Ambient Temperature (°C)	Capacity Evaporating Temperature (°C)									Power Evaporating Temperature (°C)								
		-40	-35	-30	-25	-20	-15	-10	-5	0	-40	-35	-30	-25	-20	-15	-10	-5	0
ZXL020BE	20	1.85	2.31	2.89	3.56	4.31	5.12	5.99	6.90	7.83	1.59	1.65	1.71	1.78	1.86	1.94	2.02	2.11	2.19
	27	1.59	2.09	2.69	3.37	4.10	4.88	5.69	6.52	7.35	1.83	1.90	1.97	2.05	2.14	2.23	2.33	2.43	2.52
	32	1.51	2.04	2.65	3.32	4.03	4.77	5.53	6.30	7.05	2.03	2.10	2.18	2.27	2.36	2.46	2.57	2.67	2.78
	38	1.46	2.01	2.61	3.26	3.93	4.62	5.31	5.98	6.62	2.29	2.37	2.46	2.56	2.66	2.77	2.89	3.00	3.12
	43	1.37	1.92	2.52	3.14	3.78	4.41	5.03	5.61	6.16	2.54	2.63	2.73	2.83	2.95	3.07	3.16	3.30	3.45
	48	1.18	1.73	2.30	2.89	3.48	4.05	4.59	5.09	5.52	2.84	2.93	3.04	3.15	3.27	3.40	3.50	3.65	3.80
ZXL025BE	20	2.06	2.60	3.28	4.11	5.09	6.24	7.40	8.55	9.71	1.65	1.78	1.91	2.03	2.13	2.19	2.26	2.32	2.39
	27	1.94	2.48	3.13	3.90	4.81	5.86	6.91	7.96	9.01	2.00	2.13	2.26	2.38	2.50	2.58	2.67	2.75	2.84
	32	1.93	2.46	3.08	3.80	4.64	5.61	6.58	7.55	8.52	2.27	2.39	2.53	2.66	2.79	2.89	3.00	3.11	3.21
	38	1.92	2.42	3.00	3.65	4.41	5.27	6.13	6.99	7.85	2.63	2.75	2.90	3.05	3.20	3.34	3.47	3.60	3.74
	43	1.86	2.33	2.85	3.45	4.12	4.88	5.65	6.41	7.17	2.98	3.11	3.27	3.45	3.62	3.78	3.94	4.11	4.27
	48	1.68	2.11	2.58	3.11	3.69	4.35	5.01	5.66	6.32	3.40	3.55	3.73	3.92	4.12	4.32	4.51	4.71	4.90
ZXL030BE	20	2.79	3.39	4.15	5.04	6.02	7.06	8.09	9.12	10.15	1.98	2.09	2.22	2.35	2.47	2.54	2.61	2.68	2.74
	27	2.66	3.24	3.95	4.78	5.67	6.59	7.51	8.43	9.35	2.29	2.39	2.52	2.68	2.83	2.96	3.09	3.22	3.35
	32	2.56	3.13	3.81	4.59	5.42	6.26	7.10	7.94	8.78	2.52	2.60	2.74	2.90	3.08	3.25	3.41	3.58	3.74
	38	2.41	2.95	3.60	4.32	5.07	5.81	6.56	7.30	8.05	2.88	2.94	3.06	3.24	3.44	3.64	3.84	4.05	4.25
	43	2.20	2.73	3.35	4.02	4.71	5.37	6.04	6.70	7.36	3.31	3.34	3.45	3.63	3.84	4.07	4.30	4.53	4.76
	48	1.89	2.41	3.00	3.62	4.25	4.83	5.42	6.00	6.59	3.91	3.91	4.00	4.17	4.39	4.65	4.90	5.15	5.40
ZXL035BE	20	3.14	3.93	4.91	6.04	7.32	8.71	10.19	11.74	13.32	2.37	2.45	2.55	2.65	2.77	2.89	3.01	3.14	3.27
	27	2.69	3.56	4.58	5.72	6.97	8.30	9.68	11.09	12.50	2.73	2.83	2.94	3.06	3.19	3.33	3.47	3.62	3.76
	32	2.57	3.47	4.51	5.64	6.85	8.12	9.41	10.71	11.98	3.02	3.12	3.25	3.38	3.52	3.67	3.83	3.98	4.14
	38	2.48	3.41	4.44	5.54	6.69	7.86	9.03	10.17	11.26	3.41	3.53	3.66	3.81	3.97	4.13	4.30	4.47	4.65
	43	2.33	3.27	4.28	5.34	6.42	7.50	8.55	9.55	10.47	3.79	3.92	4.06	4.22	4.39	4.57	4.72	4.92	5.14
	48	2.00	2.94	3.92	4.92	5.92	6.89	7.81	8.65	9.39	4.23	4.37	4.53	4.70	4.88	5.07	5.22	5.44	5.67
ZXL040BE	20	3.75	4.74	5.97	7.48	9.27	11.37	13.46	15.56	17.66	2.56	2.76	2.96	3.14	3.30	3.40	3.50	3.60	3.70
	27	3.54	4.52	5.70	7.10	8.75	10.66	12.57	14.49	16.40	3.11	3.30	3.50	3.69	3.87	4.00	4.13	4.27	4.40
	32	3.52	4.48	5.60	6.92	8.45	10.21	11.98	13.74	15.50	3.52	3.70	3.91	4.13	4.32	4.49	4.65	4.81	4.98
	38	3.50	4.41	5.45	6.65	8.02	9.59	11.16	12.72	14.29	4.07	4.27	4.49	4.73	4.96	5.17	5.38	5.59	5.80
	43	3.38	4.23	5.19	6.27	7.50	8.89	10.27	11.66	13.05	4.62	4.83	5.07	5.34	5.61	5.86	6.11	6.37	6.62
	48	3.05	3.84	4.70	5.66	6.72	7.92	9.11	10.31	11.50	5.27	5.50	5.78	6.08	6.39	6.69	6.99	7.29	7.60
ZXL050BE	20	5.36	5.97	6.95	8.27	9.92	11.86	14.08	16.54	19.21	3.56	3.85	4.06	4.20	4.32	4.42	4.53	4.68	4.87
	27	5.11	5.87	6.92	8.25	9.82	11.62	13.60	15.76	18.06	3.74	4.02	4.26	4.46	4.66	4.87	5.12	5.44	5.84
	32	4.78	5.61	6.70	8.00	9.49	11.15	12.95	14.86	16.86	3.91	4.19	4.45	4.71	5.00	5.32	5.72	6.20	6.80
	38	4.32	5.23	6.31	7.55	8.92	10.39	11.93	13.52	15.14	4.80	5.03	5.27	5.53	5.85	6.24	6.72	7.32	8.07
	43	3.99	4.93	5.99	7.16	8.39	9.68	10.99	12.29	13.56	5.62	5.79	5.98	6.22	6.54	6.96	7.42	8.15	9.06
	48	3.79	4.74	5.75	6.82	7.90	8.98	10.03	11.02	11.92	6.35	6.42	6.55	6.75	7.05	7.47	7.96	8.74	9.73
ZXL060BE	20	5.85	7.17	8.69	10.36	12.14	14.01	15.92	17.83	19.70	4.44	4.51	4.79	5.18	5.62	6.02	6.29	6.37	6.44
	27	5.68	6.94	8.36	9.90	11.54	13.22	14.92	16.60	18.22	4.88	4.97	5.28	5.72	6.22	6.70	7.07	7.26	7.45
	32	5.51	6.71	8.06	9.51	11.03	12.59	14.14	15.64	17.07	5.37	5.45	5.77	6.23	6.76	7.27	7.70	7.95	8.20
	38	5.25	6.38	7.63	8.97	10.35	11.74	13.10	14.40	15.59	6.17	6.23	6.53	6.99	7.54	8.08	8.55	8.85	8.92
	43	4.98	6.04	7.21	8.45	9.71	10.95	12.15	13.27	14.26	7.04	7.06	7.33	7.78	8.32	8.87	9.24	9.64	9.85
	48	4.65	5.65	6.73	7.86	8.99	10.09	11.13	12.06	12.85	8.05	8.07	8.30	8.72	9.24	9.79	10.14	10.56	10.80
ZXL075BE	20	6.81	7.58	8.82	10.50	12.60	15.07	17.88	21.00	24.40	4.99	5.39	5.68	5.89	6.05	6.19	6.34	6.55	6.82
	27	6.49	7.45	8.79	10.48	12.47	14.75	17.28	20.02	22.94	5.23	5.63	5.96	6.24	6.52	6.82	7.17	7.61	8.17
	32	6.07	7.13	8.50	10.15	12.05	14.16	16.44	18.87	21.42	5.48	5.87	6.24	6.60	6.99	7.45	8.00	8.68	9.51
	38	5.49	6.64	8.02	9.59	11.33	13.19	15.15	17.18	19.23	6.72	7.04	7.37	7.74	8.18	8.73	9.41	10.25	11.30
	43	5.07	6.26	7.61	9.09	10.66	12.29	13.94	15.60	17.21	7.87	8.10	8.37	8.71	9.16	9.74	10.40	11.41	12.68
	48	4.81	6.01	7.31	8.66	10.04	11.40	12.73	13.98	15.13	8.89	8.99	9.16	9.44	9.86	10.45	11.15	12.24	13.63

Notes: The rating condition is based on the return gas temperature of 5°C.
 Power includes condenser fan.
 Ambient 38°C and 43°C are typical design conditions for unit selection.

ZXL Family: Low Temperature

Capacity and Power (kW) at 50 Hz - PFJ

R407F

Model	Ambient Temperature (°C)	Capacity Evaporating Temperature (°C)										Power Evaporating Temperature (°C)									
		-40	-35	-30	-25	-20	-15	-10	-5	0	-40	-35	-30	-25	-20	-15	-10	-5	0		
ZXL020BE	20	1.39	1.78	2.26	2.83	3.48	4.23	5.05	5.95	6.87	1.26	1.36	1.37	1.35	1.34	1.40	1.59	1.94	2.49		
	27	1.31	1.72	2.21	2.78	3.43	4.16	4.95	5.79	6.68	1.42	1.61	1.71	1.76	1.79	1.86	2.02	2.31	2.76		
	32	1.28	1.71	2.21	2.79	3.42	4.13	4.90	5.71	6.56	1.44	1.69	1.82	1.89	1.94	2.01	2.15	2.41	2.82		
	38	1.24	1.70	2.22	2.78	3.42	4.10	4.84	5.61	6.40	1.48	1.78	1.95	2.04	2.09	2.16	2.29	2.50	2.87		
	43	1.19	1.66	2.18	2.75	3.37	4.04	4.75	5.49	6.25	1.62	1.99	2.18	2.27	2.31	2.36	2.45	2.64	2.95		
	48	1.08	1.57	2.02	2.59	3.22	3.91				2.02	2.42	2.53	2.60	2.68	2.73					
ZXL025BE	20	2.02	2.50	3.08	3.78	4.59	5.52	6.55	7.68	8.90	1.19	1.29	1.40	1.50	1.60	1.68	1.77	1.84	1.91		
	27	1.78	2.23	2.79	3.47	4.26	5.15	6.14	7.23	8.40	1.52	1.62	1.72	1.83	1.92	2.00	2.08	2.16	2.23		
	32	1.76	2.20	2.74	3.39	4.14	4.99	5.95	6.98	8.09	1.74	1.85	1.96	2.06	2.16	2.25	2.34	2.42	2.50		
	38	1.84	2.24	2.74	3.34	4.04	4.82	5.70	6.65	7.67	2.03	2.14	2.26	2.37	2.48	2.59	2.68	2.79	2.89		
	43	1.85	2.22	2.69	3.24	3.88	4.60	5.40	6.27	7.20	2.29	2.42	2.55	2.68	2.80	2.92	3.04	3.16	3.29		
	48	1.76	2.08	2.37	2.87	3.56	4.21				2.59	2.74	2.92	3.06	3.18	3.32					
ZXL030BE	20	1.66	2.42	3.19	3.99	4.87	5.84	6.92	8.13	9.48	1.69	1.81	1.88	1.93	1.97	2.04	2.16	2.38	2.69		
	27	1.66	2.44	3.21	4.00	4.85	5.78	6.80	7.92	9.18	1.82	2.01	2.14	2.22	2.30	2.38	2.52	2.72	3.02		
	32	1.62	2.43	3.20	4.00	4.82	5.71	6.69	7.76	8.96	1.92	2.16	2.31	2.42	2.52	2.61	2.75	2.96	3.25		
	38	1.55	2.38	3.16	3.95	4.75	5.60	6.53	7.54	8.67	2.11	2.38	2.57	2.71	2.82	2.93	3.07	3.26	3.54		
	43	1.46	2.29	3.08	3.86	4.66	5.47	6.36	7.33	8.39	2.34	2.64	2.87	3.02	3.14	3.26	3.39	3.58	3.85		
	48	1.30	2.16	2.85	3.10	4.48	5.30				2.68	3.03	3.27	3.43	3.56	3.68					

Note: The rating condition is based on a return gas temperature of 5°C.
 Power includes condenser fan.
 Ambient 38°C and 43°C are typical design conditions for unit selection.

ZXL Family: Low Temperature Capacity and Power (kW) at 50 Hz - TFD

R407F

Model	Ambient Temperature (°C)	Capacity Evaporating Temperature (°C)									Power Evaporating Temperature (°C)								
		-40	-35	-30	-25	-20	-15	-10	-5	0	-40	-35	-30	-25	-20	-15	-10	-5	0
ZXL020BE	20	1.35	1.74	2.24	2.85	3.55	4.33	5.17	6.06	6.99	1.32	1.39	1.45	1.49	1.53	1.57	1.62	1.70	1.80
	27	1.32	1.68	2.15	2.72	3.37	4.10	4.88	5.72	6.58	1.69	1.76	1.82	1.86	1.90	1.94	1.98	2.05	2.14
	32	1.25	1.59	2.04	2.59	3.22	3.91	4.67	5.47	6.29	1.74	1.83	1.90	1.96	2.01	2.06	2.11	2.19	2.28
	38	1.14	1.47	1.91	2.43	3.04	3.71	4.43	5.19	5.98	1.80	1.93	2.03	2.12	2.20	2.27	2.35	2.45	2.57
	43	1.06	1.38	1.81	2.33	2.92	3.57	4.27	5.01	5.78	2.02	2.19	2.34	2.46	2.57	2.68	2.80	2.92	3.07
	48	1.00	1.33	1.76	2.27	2.85	3.49				2.55	2.77	2.96	3.14	3.30	3.45			
ZXL025BE	20	1.61	2.12	2.76	3.55	4.41	5.40	6.51	7.76	9.07	1.59	1.69	1.74	1.82	1.86	1.92	2.01	2.13	2.29
	27	1.58	2.05	2.64	3.38	4.18	5.11	6.16	7.32	8.54	2.06	2.15	2.18	2.23	2.24	2.28	2.33	2.45	2.59
	32	1.49	1.94	2.51	3.22	3.99	4.88	5.89	7.00	8.17	2.07	2.18	2.27	2.33	2.34	2.42	2.48	2.57	2.69
	38	1.36	1.80	2.35	3.03	3.77	4.62	5.59	6.65	7.76	2.08	2.17	2.34	2.48	2.56	2.71	2.82	2.95	3.09
	43	1.26	1.69	2.23	2.90	3.62	4.46	5.39	6.42	7.50	2.49	2.46	2.63	2.86	3.02	3.27	3.43	3.62	3.81
	48	1.20	1.62	2.16	2.82	3.54	4.36				3.18	3.38	3.44	3.71	3.99	4.32			
ZXL030BE	20	1.92	2.44	3.12	3.90	4.80	5.88	7.17	8.69	10.34	1.75	1.90	1.99	2.06	2.13	2.14	2.23	2.34	2.49
	27	1.85	2.36	2.99	3.72	4.56	5.57	6.77	8.20	9.74	2.23	2.43	2.49	2.52	2.57	2.53	2.59	2.69	2.82
	32	1.75	2.24	2.84	3.54	4.35	5.32	6.47	7.84	9.31	2.24	2.46	2.59	2.64	2.69	2.69	2.75	2.82	2.92
	38	1.60	2.07	2.65	3.33	4.11	5.04	6.14	7.45	8.85	2.26	2.45	2.67	2.81	2.94	3.01	3.13	3.23	3.36
	43	1.48	1.94	2.52	3.19	3.95	4.86	5.93	7.19	8.55	2.70	2.78	3.00	3.24	3.46	3.64	3.81	3.97	4.13
	48	1.40	1.87	2.44	3.10	3.86	4.75				3.45	3.81	3.93	4.20	4.58	4.81			
ZXL035BE	20	2.61	3.36	4.19	5.04	5.99	7.07	8.33	9.84	11.63	1.93	1.99	2.11	2.27	2.51	2.73	2.99	3.31	3.63
	27	2.57	3.21	4.02	4.84	5.75	6.78	7.96	9.37	11.06	2.31	2.30	2.42	2.58	2.82	3.05	3.31	3.65	3.99
	32	2.52	3.16	3.92	4.69	5.54	6.51	7.63	8.98	10.58	2.65	2.63	2.74	2.90	3.15	3.39	3.66	4.03	4.40
	38	2.37	3.01	3.69	4.42	5.18	6.08	7.13	8.38	9.90	3.07	3.09	3.19	3.37	3.63	3.90	4.21	4.62	5.06
	43	2.28	2.87	3.51	4.17	4.89	5.73	6.70	7.88	9.33	3.54	3.56	3.68	3.87	4.17	4.48	4.82	5.30	5.82
	48	2.20	2.83	3.42	4.02	4.68	5.46				4.12	4.27	4.39	4.59	4.94	5.28			
ZXL040BE	20	3.11	3.96	4.92	6.01	7.25	8.63	10.18	11.90	13.80	2.30	2.42	2.60	2.84	3.12	3.43	3.76	4.08	4.40
	27	3.06	3.87	4.80	5.83	7.00	8.30	9.76	11.38	13.17	2.74	2.85	3.03	3.26	3.54	3.85	4.18	4.52	4.84
	32	2.93	3.72	4.60	5.59	6.70	7.94	9.33	10.86	12.56	3.08	3.19	3.38	3.63	3.93	4.26	4.61	4.97	5.32
	38	2.73	3.47	4.30	5.23	6.26	7.42	8.71	10.13	11.72	3.53	3.68	3.90	4.19	4.52	4.90	5.29	5.70	6.11
	43	2.56	3.26	4.04	4.90	5.86	6.94	8.14	9.47	10.95	3.98	4.17	4.44	4.77	5.16	5.58	6.04	6.50	6.92
	48	2.42	3.07	3.78	4.58	5.47	6.46				4.52	4.77	5.10	5.49	5.94	6.44			
ZXL050BE	20	3.76	4.52	5.65	7.10	8.78	10.62	12.55	14.47	16.30	2.77	3.01	3.13	3.27	3.48	3.71	3.98	4.38	4.73
	27	3.50	4.25	5.33	6.70	8.28	9.99	11.75	13.47	15.08	2.95	3.13	3.28	3.45	3.63	3.94	4.25	4.60	5.12
	32	3.23	3.97	5.04	6.36	7.87	9.51	11.15	12.74	14.20	3.39	3.56	3.72	3.87	4.05	4.36	4.61	5.03	5.56
	38	2.90	3.62	4.67	5.96	7.40	8.94	10.48	11.92	13.22	4.23	4.35	4.47	4.61	4.79	5.06	5.35	5.77	6.33
	43	2.69	3.38	4.42	5.68	7.08	8.55	10.00	11.34	12.47	4.99	4.98	5.09	5.22	5.51	5.85	6.17	6.50	6.94
	48	2.55	3.19	4.24	5.48	6.86	8.28				5.60	5.40	5.55	5.87	6.20	6.62			
ZXL060BE	20	4.16	5.21	6.51	8.05	9.81	11.76	13.70	15.71	17.54	3.11	3.31	3.54	3.74	3.85	4.17	4.35	4.83	5.32
	27	4.14	5.11	6.38	7.89	9.61	11.43	13.32	15.21	17.02	3.65	3.81	3.95	4.15	4.39	4.71	5.12	5.65	6.28
	32	3.94	4.90	6.17	7.68	9.38	11.22	13.12	15.01	16.82	4.20	4.36	4.52	4.72	4.98	5.31	5.74	6.30	7.00
	38	3.60	4.52	5.74	7.22	8.88	10.69	12.56	14.42	16.23	4.97	5.13	5.29	5.49	5.75	6.09	6.54	7.10	7.83
	43	3.33	4.18	5.34	6.75	8.36	10.11	11.93	13.75	15.51	5.67	5.81	5.95	6.14	6.40	6.74	7.19	7.76	8.49
	48	3.13	3.90	4.98	6.29	7.81	9.47				6.36	6.48	6.61	6.78	7.02	7.34			
ZXL075BE	20	4.67	5.79	7.23	8.95	10.90	13.06	15.39	17.85	20.40	3.56	3.74	3.93	4.14	4.42	4.78	5.26	5.89	6.69
	27	4.60	5.69	7.08	8.73	10.61	12.66	14.87	17.18	19.57	3.97	4.17	4.37	4.61	4.91	5.30	5.81	6.46	7.30
	32	4.36	5.44	6.80	8.41	10.22	12.21	14.33	16.54	18.82	4.53	4.73	4.93	5.17	5.48	5.88	6.40	7.07	7.92
	38	3.98	5.05	6.38	7.94	9.70	11.60	13.63	15.73	17.87	5.38	5.57	5.77	6.00	6.30	6.70	7.22	7.89	8.74
	43	3.68	4.75	6.06	7.59	9.30	11.14	13.09	15.10	17.14	6.15	6.32	6.50	6.72	7.01	7.40	7.90	8.57	9.41
	48	3.49	4.55	5.85	7.35	9.01	10.80				6.90	7.05	7.20	7.40	7.66	8.03			

Notes: The rating condition is based on a return gas temperature of 5°C.
Power includes condenser fan.
Ambient 38°C and 43°C are typical design conditions for unit selection.

ZXL Family: Low Temperature Capacity and Power (kW) at 60 Hz - TF5/TF7

R407F

Model	Ambient Temperature (°C)	Capacity Evaporating Temperature (°C)						Power Evaporating Temperature (°C)					
		-40	-35	-30	-25	-20	-15	-40	-35	-30	-25	-20	-15
ZXL020BE	20	1.64	2.13	2.76	3.54	4.43	5.44	1.66	1.74	1.82	1.86	1.93	1.93
	27	1.60	2.05	2.64	3.36	4.20	5.14	2.09	2.17	2.26	2.30	2.37	2.35
	32	1.51	1.94	2.51	3.20	4.00	4.90	2.12	2.23	2.34	2.40	2.47	2.47
	38	1.38	1.79	2.33	3.00	3.77	4.63	2.18	2.32	2.47	2.56	2.68	2.70
	43	1.27	1.68	2.21	2.86	3.62	4.46	2.41	2.61	2.80	2.94	3.09	3.15
	48	1.20	1.61	2.14	2.78	3.52	4.35	3.01	3.26	3.51	3.70	3.92	4.01
	50	1.17	1.58	2.11	2.75	3.48	4.30	3.35	3.62	3.91	4.13	4.39	4.49
ZXL025BE	20	1.96	2.59	3.40	4.40	5.50	6.79	1.99	2.11	2.19	2.27	2.34	2.36
	27	1.91	2.50	3.25	4.18	5.21	6.41	2.55	2.65	2.70	2.75	2.80	2.77
	32	1.81	2.37	3.08	3.98	4.97	6.11	2.52	2.65	2.79	2.85	2.89	2.90
	38	1.65	2.18	2.87	3.73	4.68	5.78	2.52	2.61	2.84	3.00	3.12	3.22
	43	1.52	2.05	2.72	3.56	4.49	5.56	2.97	2.93	3.15	3.42	3.63	3.84
	48	1.44	1.97	2.63	3.46	4.38	5.42	3.75	3.98	4.07	4.38	4.74	5.02
	50	1.40	1.93	2.60	3.42	4.32	5.36	4.21	4.67	4.62	4.93	5.40	5.72
ZXL030BE	20	2.34	2.98	3.84	4.84	6.00	7.40	2.15	2.38	2.50	2.58	2.61	2.62
	27	2.24	2.88	3.67	4.60	5.68	6.99	2.76	2.91	3.03	3.12	3.11	3.08
	32	2.11	2.72	3.48	4.38	5.41	6.66	2.73	2.99	3.18	3.23	3.22	3.23
	38	1.93	2.51	3.24	4.10	5.10	6.30	2.73	2.95	3.24	3.40	3.47	3.58
	43	1.78	2.36	3.08	3.92	4.89	6.06	3.22	3.30	3.60	3.87	4.04	4.27
	48	1.68	2.26	2.98	3.81	4.77	5.91	4.06	4.48	4.65	4.96	5.28	5.58
	50	1.64	2.22	2.93	3.76	4.71	5.85	4.56	5.26	5.27	5.59	6.02	6.36
ZXL035BE	20	3.16	4.11	5.16	6.25	7.48	8.89	2.36	2.49	2.65	2.85	3.16	3.36
	27	3.12	3.92	4.94	5.99	7.16	8.50	2.82	2.95	3.07	3.19	3.52	3.71
	32	3.05	3.84	4.80	5.79	6.89	8.15	3.23	3.20	3.36	3.55	3.88	4.07
	38	2.87	3.65	4.52	5.44	6.43	7.60	3.70	3.71	3.86	4.07	4.42	4.63
	43	2.74	3.48	4.29	5.14	6.06	7.15	4.22	4.24	4.41	4.62	5.02	5.25
	48	2.65	3.43	4.17	4.94	5.79	6.79	4.86	5.02	5.20	5.42	5.88	6.13
	50	2.61	3.40	4.12	4.85	5.68	6.64	5.15	5.40	5.59	5.82	6.30	6.56
ZXL040BE	20	3.77	4.84	6.06	7.46	9.05	10.85	2.88	3.02	3.27	3.56	3.94	4.22
	27	3.70	4.73	5.89	7.22	8.72	10.42	3.39	3.51	3.76	4.04	4.42	4.68
	32	3.54	4.53	5.64	6.91	8.34	9.95	3.76	3.89	4.15	4.44	4.84	5.11
	38	3.29	4.22	5.27	6.45	7.78	9.27	4.26	4.42	4.72	5.06	5.50	5.81
	43	3.08	3.95	4.93	6.03	7.27	8.66	4.74	4.96	5.31	5.70	6.20	6.55
	48	2.90	3.71	4.61	5.62	6.76	8.04	5.33	5.60	6.03	6.48	7.07	7.47
	50	2.83	3.61	4.48	5.45	6.55	7.79	5.60	5.91	6.38	6.87	7.49	7.92
ZXL050BE	20	4.56	5.53	6.96	8.81	10.97	13.36	3.46	3.75	3.94	4.09	4.38	4.56
	27	4.24	5.18	6.55	8.29	10.32	12.54	3.64	3.86	4.08	4.26	4.53	4.79
	32	3.90	4.84	6.18	7.85	9.79	11.91	4.14	4.34	4.56	4.73	4.99	5.24
	38	3.50	4.41	5.72	7.34	9.19	11.18	5.10	5.23	5.42	5.57	5.82	6.01
	43	3.24	4.09	5.40	6.99	8.77	10.67	5.96	5.92	6.10	6.23	6.62	6.87
	48	3.06	3.86	5.17	6.73	8.48	10.31	6.60	6.35	6.57	6.93	7.38	7.68
	50	2.99	3.77	5.07	6.62	8.35	10.15	6.88	6.52	6.75	7.23	7.70	8.03
ZXL060BE	20	5.05	6.38	8.01	9.98	12.25	14.78	3.85	4.00	4.30	4.53	4.68	4.90
	27	5.01	6.23	7.84	9.77	11.97	14.35	4.52	4.69	4.91	5.14	5.47	5.72
	32	4.77	5.97	7.57	9.49	11.67	14.05	5.14	5.31	5.55	5.77	6.13	6.38
	38	4.35	5.49	7.03	8.89	11.02	13.36	6.00	6.18	6.41	6.63	6.99	7.23
	43	4.01	5.07	6.53	8.31	10.35	12.61	6.76	6.91	7.12	7.34	7.70	7.91
	48	3.77	4.73	6.07	7.72	9.65	11.78	7.50	7.61	7.83	8.00	8.34	8.52
	50	3.66	4.58	5.88	7.48	9.37	11.44	7.83	7.92	8.14	8.29	8.61	8.77
ZXL075BE	20	5.67	7.08	8.90	11.09	13.61	16.43	4.45	4.67	4.93	5.19	5.57	5.88
	27	5.57	6.95	8.71	10.81	13.22	15.89	4.90	5.13	5.42	5.70	6.11	6.44
	32	5.27	6.62	8.34	10.38	12.71	15.29	5.53	5.76	6.05	6.33	6.75	7.06
	38	4.80	6.13	7.81	9.79	12.04	14.50	6.49	6.70	6.99	7.25	7.67	7.95
	43	4.44	5.76	7.40	9.34	11.51	13.90	7.34	7.52	7.79	8.03	8.43	8.68
	48	4.20	5.51	7.13	9.02	11.14	13.45	8.14	8.28	8.52	8.73	9.11	9.32
	50	4.10	5.41	7.02	8.89	10.98	13.25	8.49	8.60	8.82	9.01	9.37	9.55

Notes: The rating condition is based on a return gas temperature of 5°C.
Power includes condenser fan.
Ambient 38°C and 43°C are typical design conditions for unit selection.

ZX Family: Medium Temperature

Technical Data at 50 Hz - PFJ

Family				ZX			
Nominal Rating	Horsepower	HP	2	2.5	3	4	
Model Name			ZX020B0	ZX025B0	ZX030B0	ZX040B0	
			ZX020BE	ZX025BE	ZX030BE	ZX040BE	
Performance	R22	ET/AT/RGT	°C	-7/32/18			
		Capacity	kW	3.85	4.51	5.53	7.57
		COP	W/W	2.41	2.69	2.64	2.54
	R404A	ET/AT/RGT	°C	-7/32/18			
		Capacity	kW	4.30	4.84	6.00	7.80
		COP	W/W	2.26	2.37	2.35	2.29
	R407F	ET/AT/RGT	°C	-7/32/18			
		Capacity	kW	4.40	4.99	6.31	8.37
		COP	W/W	2.32	2.40	2.38	2.38
	Sound Pressure Level	@1m	dB(A)	56			
Compressor	Model Name	R22		ZX15KC-PFJ	ZX19KC-PFJ	ZX21KC-PFJ	ZX29KC-PFJ
		R404A		ZX15KCE-PFJ	ZX19KCE-PFJ	ZX21KCE-PFJ	ZX29KCE-PFJ
		R407F		ZX15KCE-PFJ	ZX19KCE-PFJ	ZX21KCE-PFJ	ZX29KCE-PFJ
	Rated Load Ampere	R22	Amp	13.2	14.6	16.4	20.0
		R404A	Amp	13.2	14.6	16.4	20.0
		R407F	Amp	13.2	14.6	16.4	20.0
	Locked Rotor Ampere	R22	Amp	58.0	61.0	82.0	114.0
		R404A	Amp	58.0	61.0	82.0	114.0
		R407F	Amp	58.0	61.0	82.0	114.0
	Oil Type	R22		MINERAL			
R404A			POE				
R407F			POE				
Oil Recharge Volume	R22/R404A/R407F		1.18	1.33	1.33	1.83	
Fan Motor	Number of Fan	Pieces	1	1	1	1	
	Diameter	mm	450	450	450	450	
	Fan Speed	rpm	933	933	933	933	
	Air Flow	Total	m ³ /h	3483	3483	3483	3483
	Total Fan Motor Power	Input	W	116	116	116	116
Others	Oil Separator	Volume	Liters	0.5	0.5	0.5	0.5
	Receiver Volume	R22	kg	5.1	5.1	5.1	5.1
		R404A	kg	4.4	4.4	4.4	4.4
		R407F	kg	4.5	4.5	4.5	4.5
	Pipes	Suction OD	Inch	3/4	3/4	3/4	3/4
		Liquid OD	Inch	1/2	1/2	1/2	1/2
	Dimension	W x D x H	mm	1029 x 424 x 840			
Weight	Net	kg	76	79	79	100	
	Gross	kg	114	117	117	138	

ZX Family: Medium Temperature

Technical Data at 50 Hz - TFD

Family				ZX						
Nominal Rating	Horsepower	HP	2	3	4	5	6	7.5	7.6	
Model Name			ZX020B0	ZX030B0	ZX040B0	ZX050B0	ZX060B0	ZX075B0	ZX076B0	
			ZX020BE	ZX030BE	ZX040BE	ZX050BE	ZX060BE	ZX075BE	ZX076BE	
Performance	R22	ET/AT/RGT	-7/32/18							
		Capacity	3.85	5.53	7.57	9.30	11.20	12.60	12.85	
		COP	2.41	2.64	2.54	2.66	2.60	2.57	2.65	
	R404A	ET/AT/RGT	-7/32/18							
		Capacity	4.30	6.00	7.80	10.70	11.80	13.20	13.46	
		COP	2.26	2.35	2.29	2.40	2.41	2.40	2.50	
	R407F	ET/AT/RGT	-7/32/18							
		Capacity	4.40	6.31	8.37	10.49	11.68	12.73	12.98	
		COP	2.32	2.38	2.38	2.44	2.56	2.56	2.55	
	Sound Pressure Level	@1m	dB(A)	56			60			
Compressor	Model Name	R22	ZX15KC-TFD	ZX21KC-TFD	ZX30KC-TFD	ZX38KC-TFD	ZX45KC-TFD	ZX51KC-TFD	ZX51KC-TFD	
		R404A	ZX15KCE-TFD	ZX21KCE-TFD	ZX30KCE-TFD	ZX38KCE-TFD	ZX45KCE-TFD	ZX51KCE-TFD	ZX51KCE-TFD	
		R407F	ZX15KCE-TFD	ZX21KCE-TFD	ZX30KCE-TFD	ZX38KCE-TFD	ZX45KCE-TFD	ZX51KCE-TFD	ZX51KCE-TFD	
	Rated Load Ampere	R22	Amp	4.3	5.7	7.4	8.9	11.5	12.0	12.0
		R404A	Amp	5.0	6.1	7.5	9.6	11.5	11.8	11.8
		R407F	Amp	5.0	6.1	7.5	9.6	11.5	11.8	11.8
	Locked Rotor Ampere	R22	Amp	26.0	36.0	44.3	58.6	67.0	101.0	101.0
		R404A	Amp	26.0	36.0	44.3	58.6	67.0	101.0	101.0
		R407F	Amp	26.0	36.0	44.3	58.6	67.0	101.0	101.0
	Oil Type	R22	MINERAL							
R404A		POE								
R407F		POE								
Oil Recharge Volume	R22/R404A/ R407F		1.18	1.33	1.83	1.83	1.66	1.66	1.66	
Fan Motor	Number of Fan	Pieces	1	1	1	2	2	2	2	
	Diameter	mm	450	450	450	450	450	450	450	
	Fan Speed	rpm	830	830	830	830	830	830	830	
	Air Flow	Total	m ³ /h	2922	2922	2922	5910	5910	5910	5910
	Total Fan Motor Power	Input	W	116	116	116	246	246	246	246
	Others	Oil Separator	Volume	Liters	0.5	0.5	0.5	0.5	0.5	0.5
Receiver Volume		R22	kg	5.1	5.1	5.1	7.2	7.2	7.2	7.2
		R404A	kg	4.4	4.4	4.4	6.3	6.3	6.3	6.3
		R407F	kg	4.5	4.5	4.5	6.4	6.4	6.4	6.4
Pipes		Suction OD	Inch	3/4	3/4	7/8	7/8	7/8	7/8	7/8
		Liquid OD	Inch	1/2	1/2	1/2	1/2	1/2	1/2	1/2
Dimension		W x D x H	mm	1029 x 424 x 840			1029 x 424 x 1242			
Weight	Net	kg	76	79	100	108	112	118	121	
	Gross	kg	114	117	121	152	156	162	154	

ZX Family: Medium Temperature

Technical Data at 60 Hz - TF5/TF7

Family				ZX					
Nominal Rating	Horsepower	HP	2	3	4	5	6	7.5	
Model Name			ZX020B0	ZX030B0	ZX040B0	ZX050B0	ZX060B0	ZX075B0	
			ZX020BE	ZX030BE	ZX040BE	ZX050BE	ZX060BE	ZX075BE	
Performance	R22	ET/AT/RGT	°C	-7/32/18					
		Capacity	kW	4.79	6.49	9.52	10.76	12.77	14.18
		COP	W/W	2.42	2.37	2.56	2.51	2.45	2.37
	R404A	ET/AT/RGT	°C	-7/32/18					
		Capacity	kW	5.10	7.30	10.16	12.46	14.48	15.28
		COP	W/W	2.37	2.27	2.48	2.43	2.42	2.22
	R407F	ET/AT/RGT	°C	-7/32/18					
		Capacity	kW	5.44	7.79	10.34	12.95	14.42	15.72
		COP	W/W	2.29	2.35	2.35	2.41	2.53	2.52
	Sound Pressure Level	@1m	dB(A)	56		60			
Compressor	Model Name	R22		ZX15KC-TF5/7	ZX21KC-TF5/7	ZX29KC-TF5/7	ZX38KC-TF5/7	ZX45KC-TF5/7	ZX51KC-TF5/7
		R404A		ZX15KC-TF5/7	ZX21KC-TF5/7	ZX29KC-TF5/7	ZX38KC-TF5/7	ZX45KC-TF5/7	ZX51KC-TF5/7
		R407F		ZX15KC-TF5/7	ZX21KC-TF5/7	ZX29KC-TF5/7	ZX38KC-TF5/7	ZX45KC-TF5/7	ZX51KC-TF5/7
	Rated Load Ampere	R22	Amp	8.9/5.0	11.4/7.5	15.0/9.3	20.7/10.7	20.7/10.7	25.0/12.1
		R404A	Amp	8.9/5.1	12.1/7.4	15.7/9.6	24.0/12.4	23.1/12.6	26.0/14.1
		R407F	Amp	8.9/5.1	12.1/7.4	15.7/9.6	24.0/12.4	23.1/12.6	26.0/14.1
	Locked Rotor Ampere	R22	Amp	55.0/27.0	77.0/39.0	115.0/54.0	128.0/64.0	156.0/70.0	164.0/100.0
		R404A	Amp	55.0/27.0	77.0/39.0	115.0/54.0	128.0/64.0	156.0/70.0	164.0/100.0
		R407F	Amp	55.0/27.0	77.0/39.0	115.0/54.0	128.0/64.0	156.0/70.0	164.0/100.0
	Oil Type	R22		MINERAL					
R404A			POE						
R407F			POE						
Oil Recharge Volume	R22/R404A/R407F	Liters	1.18	1.33	1.83	1.83	1.66	1.66	
Fan Motor	Number of Fan	Pieces	1	1	2	2	2	2	
	Diameter	mm	450	450	450	450	450	450	
	Fan Speed	rpm	933	933	933	933	933	933	
	Air Flow	Total	m ³ /h	3483	3483	6966	6966	6966	6966
	Total Fan Motor Power	Input	W	145	145	290	290	290	290
	Others	Oil Separator	Volume	Liters	0.5	0.5	0.5	0.5	0.5
Receiver Volume		R22	kg	5.1	5.1	7.2	7.2	7.2	7.2
		R404A	kg	4.4	4.4	6.3	6.3	6.3	6.3
		R407F	kg	4.5	4.5	6.4	6.4	6.4	6.4
Pipes		Suction OD	Inch	3/4	3/4	3/4	3/4	3/4	3/4
		Liquid OD	Inch	1/2	1/2	1/2	1/2	1/2	1/2
Dimension		W x D x H	mm	1029 x 424 x 840		1029 x 424 x 1242			
Weight		Net	kg	76	79	100	108	112	121
	Gross	kg	114	117	135	152	156	162	

ZXB Family: Medium Temperature

Technical Data at 50 Hz - TFD

Family				ZXB							
Nominal Rating	Horsepower	HP	1.5	2	2.5	3	3.5	4	5	5.5	
Model Name			ZXB015BE	ZXB020BE	ZXB025BE	ZXB030BE	ZXB035BE	ZXB040BE	ZXB050BE	ZXB055BE	
Power	Phase	Ph	3	3	3	3	3	3	3	3	
Performance	R134a	ET/AT/RGT	-7/32/18								
		Capacity	kW	3.20	3.76	3.92	4.96	6.61	7.23	8.52	9.38
		COP	W/W	2.73	3.01	2.74	2.86	2.88	2.94	2.91	2.65
	Sound Pressure Level	@1m	dB(A)	56				60			
Compressor	Model Name	R134a	ZXI06KCE-TFD	ZXI08KCE-TFD	ZXI09KCE-TFD	ZXI11KCE-TFD	ZXI14KCE-TFD	ZXI15KCE-TFD	ZXI18KCE-TFD	ZXI21KCE-TFD	
	Rated Load Ampere	R134a	Amp	5.0	5.6	5.6	7.1	7.1	7.9	10.0	12.1
	Locked Rotor Ampere	R134a	Amp	39.2	39.2	39.2	51.5	51.5	51.5	74.0	101.0
	Oil Type	R134a	POE								
	Oil Recharge Volume	R134a	Liters	0.56	0.56	0.56	1.24	1.24	1.24	1.77	1.77
	Oil Initial Volume	R134a	Liters	0.74	0.74	0.74	1.36	1.36	1.36	1.89	1.89
Fan Motor	Number of Fan		Pieces	1	1	1	1	1	2	2	2
	Diameter		mm	450	450	450	450	450	450	450	450
	Fan Speed		rpm	830	830	830	830	830	830	830	830
	Air Flow	Total	m ³ /h	2922	2922	2922	2922	2922	5910	5910	5910
	Fan Motor Power	Input	W	116	116	116	116	116	246	246	246
Others	Oil Separator	Volume	Liters	0.5	0.5	0.5	0.5	0.5	0.5	0.5	0.5
	Receiver Volume	R134a	kg	5.1	5.1	5.1	5.1	5.1	7.2	7.2	7.2
	Pipes	Suction OD	in	3/4	3/4	3/4	7/8	7/8	7/8	7/8	7/8
		Liquid OD	in	1/2	1/2	1/2	1/2	1/2	1/2	1/2	1/2
	Dimension	W x D x H	mm	1029 x 424 x 840				1029 x 424 x 1242			
Weight	Net	kg	79	81	81	93	93	106	116	121	
	Gross	kg	117	119	119	131	131	150	160	165	

ZXB Family: Medium Temperature

Technical Data at 60 Hz - TF5/TF7

Family				ZXB							
Nominal Rating	Horsepower	HP	1.5	2	2.5	3	3.5	4	5	5.5	
Model Name			ZXB015BE	ZXB020BE	ZXB025BE	ZXB030BE	ZXB035BE	ZXB040BE	ZXB050BE	ZXB055BE	
Power	Phase	Ph	3	3	3	3	3	3	3	3	
Performance	R134a	ET/AT/RGT	-7/32/18								
		Capacity	kW	3.86	4.53	4.91	5.99	7.97	8.72	10.27	11.30
		COP	W/W	2.73	3.09	2.80	2.86	2.88	2.97	2.90	2.66
	Sound Pressure Level	@1m	dB(A)	56				60			
Compressor	Model Name	R134a	ZXI06KCE-TF5/7	ZXI08KCE-TF5/7	ZXI09KCE-TF5/7	ZXI11KCE-TF5/7	ZXI14KCE-TF5/7	ZXI15KCE-TF5/7	ZXI18KCE-TF5/7	ZXI21KCE-TF5/7	
	Rated Load Ampere	R134a	Amp	11.4/5.1	11.8/5.2	12.1/6.5	18.0/7.2	18.8/9.3	20.1/11.8	24.0/13.3	27.2/13.5
	Locked Rotor Ampere	R134a	Amp	73.0/34.8	73.0/34.8	73.0/38.6	110.0/47.0	110.0/66.0	110.0/73.5	186.6/94.3	191.0/94.3
	Oil Type	R134a	POE								
	Oil Recharge Volume	R134a	Liters	0.56	0.56	0.56	1.24	1.24	1.24	1.77	1.77
	Oil Initial Volume	R134a	Liters	0.74	0.74	0.74	1.36	1.36	1.36	1.89	1.89
Fan Motor	Number of Fan		Pieces	1	1	1	1	2	2	2	2
	Diameter		mm	450	450	450	450	450	450	450	450
	Fan Speed		rpm	933	933	933	933	933	933	933	933
	Air Flow	Total	m ³ /h	3483	3483	3483	3483	6966	6966	6966	6966
	Fan Motor Power	Input	W	145	145	145	145	290	290	290	290
Others	Oil Separator	Volume	Liters	0.5	0.5	0.5	0.5	0.5	0.5	0.5	0.5
	Receiver Volume	R134a	kg	5.1	5.1	5.1	5.1	7.2	7.2	7.2	7.2
	Pipes	Suction OD	in	3/4	3/4	3/4	7/8	7/8	7/8	7/8	7/8
		Liquid OD	in	1/2	1/2	1/2	1/2	1/2	1/2	1/2	1/2
	Dimension	W x D x H	mm	1029 x 424 x 840				1029 x 424 x 1242			
	Weight	Net	kg	79	81	81	93	93	106	116	121
Gross		kg	117	119	119	131	131	150	160	165	

ZXD Family: Digital Medium Temperature

Technical Data at 50 Hz - TFD

Family				ZXD					
Nominal Rating	Horsepower	HP	3	4	5	6	7.5	7.6	
Model Name			ZXD030B0 ZXD030BE	ZXD040B0 ZXD040BE	ZXD050B0 ZXD050BE	ZXD060B0 ZXD060BE	ZXD075B0 ZXD075BE	ZXD076B0 ZXD076BE	
Performance	R22	ET/AT/RGT	°C	-7/32/18					
		Capacity	kW	5.49	7.76	9.30	11.00	12.84	13.09
		COP	W/W	2.60	2.67	2.65	2.64	2.53	2.67
	R404A	ET/AT/RGT	°C	-7/32/18					
		Capacity	kW	5.82	8.30	10.70	11.80	13.20	13.46
		COP	W/W	2.45	2.47	2.43	2.41	2.43	2.49
	R407F	ET/AT/RGT	°C	-7/32/18					
		Capacity	kW	6.04	8.28	10.34	11.26	13.63	13.90
		COP	W/W	2.47	2.71	2.73	2.46	2.40	2.50
	Sound Pressure Level	@1m	dB(A)	56	60				
Compressor	Model Name	R22		ZBD21KQ-TFD	ZBD29KQ-TFD	ZBD38KQ-TFD	ZBD45KQ-TFD	ZBD48KQ-TFD	ZBD48KQ-TFD
		R404A		ZBD21KQE-TFD	ZBD29KQE-TFD	ZBD38KQE-TFD	ZBD45KQE-TFD	ZBD48KQE-TFD	ZBD48KQE-TFD
		R407F		ZBD21KQE-TFD	ZBD29KQE-TFD	ZBD38KQE-TFD	ZBD45KQE-TFD	ZBD45KQE-TFD	ZBD48KQE-TFD
	Rated Load Ampere	R22	Amp	7.4	7.9	10.0	10.0	12.1	12.1
		R404A	Amp	7.4	7.7	10.4	9.6	12.4	12.4
		R407F	Amp	7.4	7.9	10.0	10.0	12.1	12.1
	Locked Rotor Ampere	R22	Amp	40.0	48.0	64.0	74.0	100.0	100.0
		R404A	Amp	40.0	48.0	64.0	74.0	100.0	100.0
		R407F	Amp	40.0	48.0	64.0	74.0	100.0	100.0
	Oil Type	R22		MINERAL					
R404A			POE						
R407F			POE						
Oil Recharge Volume	R22/R404A/ R407F	Liters	1.12	1.24	1.77	1.77	1.77	1.77	
Fan Motor	Number of Fan	Pieces	1	2	2	2	2	2	
	Diameter	mm	450	450	450	450	450	450	
	Fan Speed	rpm	830	830	830	830	830	830	
	Air Flow	Total	m³/h	2922	5910	5910	5910	5910	5910
	Total Fan Motor Power	Input	W	116	246	246	246	246	246
Others	Oil Separator	Volume	Liters	0.5	0.5	0.5	0.5	0.5	0.5
	Receiver Volume	R22	kg	5.1	7.2	7.2	7.2	7.2	7.2
		R404A	kg	4.4	6.3	6.3	6.3	6.3	6.3
		R407F	kg	4.5	6.4	6.4	6.4	6.4	6.4
	Pipes	Suction OD	Inch	3/4	7/8	7/8	7/8	7/8	7/8
		Liquid OD	Inch	1/2	1/2	1/2	1/2	1/2	1/2
	Dimension	W x D x H	mm	1029 x 424 x x 840	1029 x 424 x 1242				
Weight	Net	kg	85	104	112	114	119	122	
	Gross	kg	123	148	156	158	163	171	

ZXD Family: Digital Medium Temperature

Technical Data at 60 Hz - TF5/TF7

Family				ZXD					
Nominal Rating	Horsepower	HP	3	4	5	6	7.5		
			ZXD030B0	ZXD040B0	ZXD050B0	ZXD060B0	ZXD075B0		
Model Name			ZXD030BE	ZXD040BE	ZXD050BE	ZXD060BE	ZXD075BE		
Performance	R22	ET/AT/RGT	-7/32/18						
		Capacity	5.93	8.46	10.84	12.79	13.99		
		COP	2.39	2.45	2.45	2.43	2.40		
	R404A	ET/AT/RGT	-10/32/18						
		Capacity	6.33	8.70	10.77	12.54	13.84		
		COP	2.23	2.18	2.11	2.12	2.08		
	R407F	ET/AT/RGT	-10/32/18						
		Capacity	6.66	8.06	9.98	11.53	14.46		
		COP	2.33	2.11	2.13	2.13	2.04		
	Sound Pressure Level	@1m	dB(A)	56	60				
Compressor	Model Name	R22	ZBD21KQ-TF5/7	ZBD29KQ-TF5/7	ZBD38KQ-TF5/7	ZBD45KQ-TF5/7	ZBD48KQ-TF5/7		
		R404A	ZBD21KQE-TF5/7	ZBD29KQE-TF5/7	ZBD38KQE-TF5/7	ZBD45KQE-TF5/7	ZBD48KQE-TF5/7		
		R407F	ZBD21KQE-TF5/7	ZBD29KQE-TF5/7	ZBD38KQE-TF5/7	ZBD45KQE-TF5/7	ZBD48KQE-TF5/7		
	Rated Load Ampere	R22	Amp	6.1	17.1*/9.3	20.7*/10.7	20.7*/12.5	25.0*/14.3	
		R404A	Amp	6.1	16.7*/9.6	23.7*/11.6	25.4*/12.9	30.0*/14.6	
		R407F	Amp	6.1	16.7*/9.6	23.7*/11.6	25.4*/12.9	30.0*/14.6	
	Locked Rotor Ampere	R22	Amp	38	110.0*/54.0	137.0*/64.0	156.0*/70.0	164.0*/78.0	
		R404A	Amp	38	110.0*/54.0	137.0*/64.0	156.0*/70.0	164.0*/78.0	
		R407F	Amp	38	110.0*/54.0	137.0*/64.0	156.0*/70.0	164.0*/78.0	
	Oil Type	R22	Mineral						
R404A		POE							
R407F		POE							
Oil Recharge Volume	R22/R404A/R407F	Liters	1.12	1.24	1.77	1.77	1.77		
Fan Motor	Number of Fan		Pieces	1	2	2	2	2	
	Diameter		mm	450	450	450	450	450	
	Fan Speed		rpm	830	933	933	933	933	
	Air Flow		Total	m ³ /h	2922	6966	6966	6966	6966
	Total Fan Motor Power		Input	W	116	290	290	290	290
Others	Oil Separator		Volume	Liters	0.5	0.5	0.5	0.5	
	Receiver Volume	R22	kg	5.1	7.2	7.2	7.2	7.2	
		R404A	kg	4.4	6.3	6.3	6.3	6.3	
		R407F	kg	4.5	6.4	6.4	6.4	6.4	
	Pipes	Suction OD	Inch	3/4	7/8	7/8	7/8	7/8	
		Liquid OD	Inch	1/2	1/2	1/2	1/2	1/2	
	Dimension	W x D x H	mm	1029 x 424 x 840	1029 x 424 x 1242				
	Weight	Net	kg	85	109	117	121	127	
Gross		kg	123	148	156	158	163		

Notes: * Preliminary data.

ZXL Family: Low Temperature

Technical Data at 50 Hz - PFJ

Family				ZXL			
Nominal Rating		Horsepower	HP	2	2.5	3	
Model Name				ZXL020B0 ZXL020BE	ZXL025B0 ZXL025BE	ZXL030B0 ZXL030BE	
Performance	R22	ET/AT/RGT	°C	-32/32/5°C			
		Capacity	kW	1.60	2.06	2.37	
		COP	W/W	1.05	1.15	1.19	
	R404A	ET/AT/RGT	°C	-32/32/5°C			
		Capacity	kW	1.97	2.47	2.84	
		COP	W/W	1.09	1.26	1.24	
	R407F	ET/AT/RGT	°C	-32/32/5°C			
		Capacity	kW	1.99	2.52	2.87	
COP		W/W	1.08	1.25	1.23		
Sound Pressure Level	@1m	dB(A)	56				
Compressor	Model Name	R22		ZXI06KC-PFJ	ZXI08KC-PFJ	ZXI09KC-PFJ	
		R404A		ZXI06KCE-PFJ	ZXI08KCE-PFJ	ZXI09KCE-PFJ	
		R407F		ZXI06KCE-PFJ	ZXI08KCE-PFJ	ZXI09KCE-PFJ	
	Rated Load Ampere	R22	Amp	12.7	13.3	15.1	
		TF5	R404A	Amp	12.7	13.3	15.1
			R407F	Amp	12.7	13.3	15.1
	Rated Load Ampere	R22	Amp	56.6	73.7	82.3	
		TF7	R404A	Amp	56.6	73.7	82.3
			R407F	Amp	56.6	73.7	82.3
	Oil Type	R22		Mineral			
R404A			POE				
R407F			POE				
Oil Recharge Volume	R22/R404A/R407F	Liters	0.56	0.56	0.56		
Fan Motor	Number of Fan		Pieces	1	1	1	
	Diameter		mm	450	450	450	
	Fan Speed		rpm	830	830	830	
	Air Flow	Total	m ³ /h	2922	2922	2922	
	Total Fan Motor Power	Input	W	116	116	116	
Others	Oil Separator	Volume	Liters	0.5	0.5	0.5	
	Receiver Volume	R22	kg	5.1	5.1	5.1	
		R404A	kg	4.4	4.4	4.4	
		R407F	kg	4.5	4.5	4.5	
	Pipes	Suction OD	Inch	3/4	3/4	3/4	
		Liquid OD	Inch	1/2	1/2	1/2	
	Dimension	W x D x H	mm	1029 x 424 x 840			
Weight	Net	kg	79	81	81		
	Gross	kg	117	119	119		

ZXL Family: Low Temperature

Technical Data at 50 Hz - TFD

Family			ZXL								
Nominal Rating	Horsepower	HP	2	2.5	3	3.5	4	5	6	7.5	
Model Name			ZXL020B0	ZXL025B0	ZXL030B0	ZXL035B0	ZXL040B0	ZXL050B0	ZXL060B0	ZXL075B0	
			ZXL020BE	ZXL025BE	ZXL030BE	ZXL035BE	ZXL040BE	ZXL050BE	ZXL060BE	ZXL075BE	
Performance	R22	ET/AT/RGT	-32/32/5°C								
		Capacity	kW	1.72	1.91	2.34	2.78	3.57	4.05	4.96	5.39
		COP	W/W	1.20	1.17	1.28	1.26	1.24	1.29	1.27	1.28
	R404A	ET/AT/RGT	-32/32/5°C								
		Capacity	kW	2.11	2.51	2.8	3.65	4.26	4.99	5.91	6.65
		COP	W/W	1.24	1.28	1.29	1.34	1.29	1.36	1.33	1.38
	R407F	ET/AT/RGT	-32/32/5°C								
		Capacity	kW	1.86	2.29	2.60	3.61	4.25	4.61	5.66	6.25
		COP	W/W	0.99	1.02	1.02	1.34	1.29	1.26	1.27	1.29
	Sound Pressure Level	@1m	dB(A)	56					60		
Compressor	Model Name	R22	ZXI06KC-TFD	ZXI08KC-TFD	ZXI09KC-TFD	ZXI11KC-TFD	ZXI14KC-TFD	ZXI15KC-TFD	ZXI18KC-TFD	ZXI21KC-TFD	
		R404A	ZXI06KC-TFD	ZXI08KC-TFD	ZXI09KC-TFD	ZXI11KC-TFD	ZXI14KC-TFD	ZXI15KC-TFD	ZXI18KC-TFD	ZXI21KC-TFD	
		R407F	ZXI06KC-TFD	ZXI08KC-TFD	ZXI09KC-TFD	ZXI11KC-TFD	ZXI14KC-TFD	ZXI15KC-TFD	ZXI18KC-TFD	ZXI21KC-TFD	
	Rated Load Ampere	R22	Amp	5.4	5.5	5.7	7.4	8.1	8.8	11.1	12.1
		R404A	Amp	5.6	6.2	6.0	8.3	8.6	10.0	11.1	14.6
		R407F	Amp	5.6	6.2	6.5	8.3	8.6	10.0	11.1	14.6
	Locked Rotor Ampere	R22	Amp	39.2	39.2	39.2	51.5	51.5	51.5	74.0	101.0
		R404A	Amp	39.2	39.2	39.2	51.5	51.5	51.5	74.0	101.0
		R407F	Amp	39.2	39.2	39.2	51.5	51.5	51.5	74.0	101.0
	Oil Type	R22		Mineral							
R404A			POE								
R407F			POE								
Oil Recharge Volume	R22/R404A/R407F	Liters	0.56	0.56	0.56	1.24	1.24	1.24	1.77	1.77	
Fan Motor	Number of Fan	Pieces	1	1	1	1	1	2	2	2	
	Diameter	mm	450	450	450	450	450	450	450	450	
	Fan Speed	rpm	830	830	830	830	830	830	830	830	
	Air Flow	Total	m³/h	2922	2922	2922	2922	2922	5910	5910	5910
	Total Fan Motor Power	Input	W	116	116	116	116	116	246	246	246
Others	Oil Separator	Volume	Liters	0.5	0.5	0.5	0.5	0.5	0.5	0.5	
	Receiver Volume	R22	kg	5.1	5.1	5.1	5.1	5.1	7.2	7.2	7.2
		R404A	kg	4.4	4.4	4.4	4.4	4.4	6.3	6.3	6.3
		R407F	kg	4.5	4.5	4.5	4.5	4.5	6.4	6.4	6.4
	Pipes	Suction OD	Inch	3/4	3/4	3/4	7/8	7/8	7/8	7/8	7/8
		Liquid OD	Inch	1/2	1/2	1/2	1/2	1/2	1/2	1/2	1/2
	Dimension	W x D x H	mm	1029 x 424 x 840					1029 x 424 x 1242		
Weight	Net	kg	79	81	81	93	93	106	116	121	
	Gross	kg	117	119	119	131	131	150	165	170	

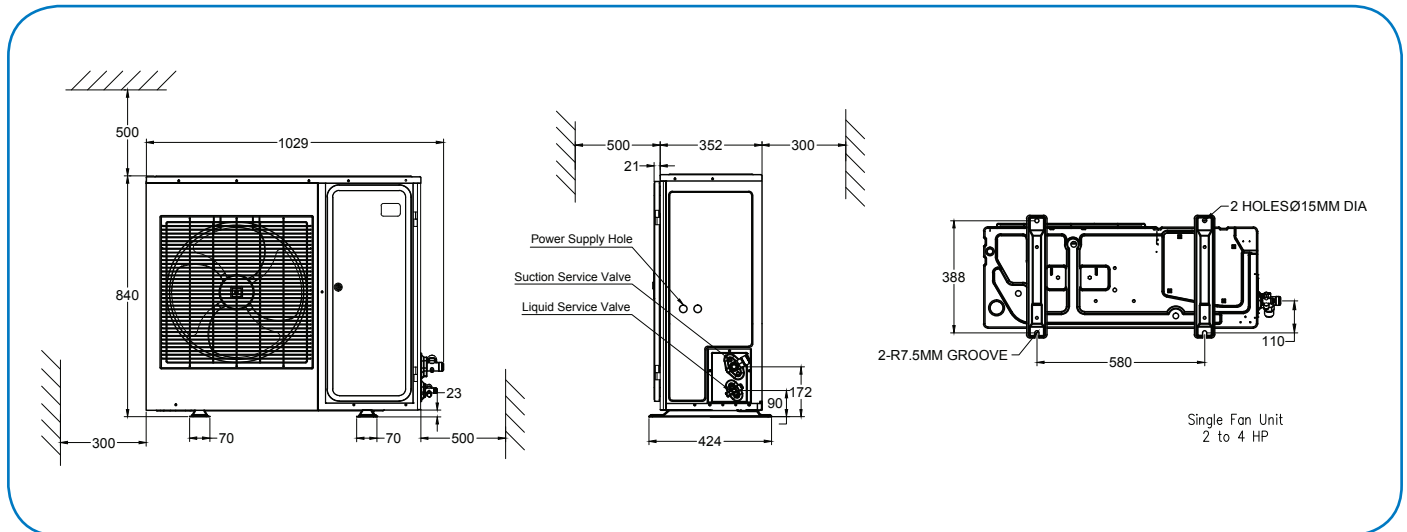
ZXL Family: Low Temperature

Technical Data at 60 Hz - TF5/TF7

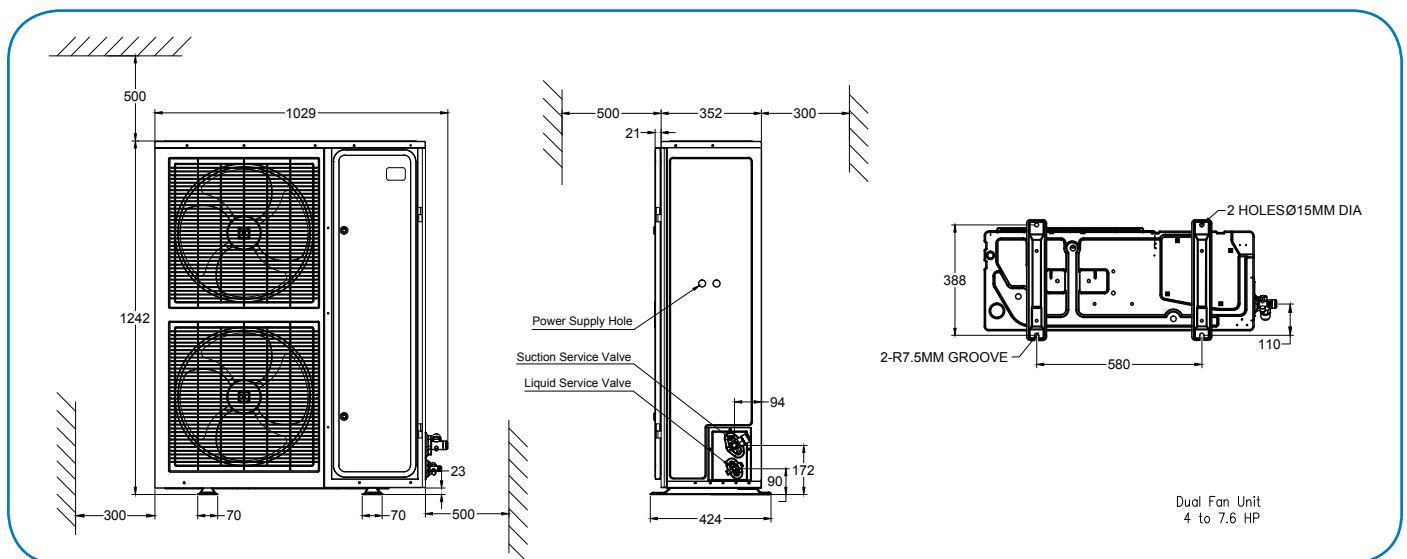
Family				ZXL								
Nominal Rating	Horsepower	HP		2	2.5	3	3.5	4	5	6	7.5	
Model Name				ZXL020B0	ZXL025B0	ZXL030B0	ZXL035B0	ZXL040B0	ZXL050B0	ZXL060B0	ZXL075B0	
				ZXL020BE	ZXL025BE	ZXL030BE	ZXL035BE	ZXL040BE	ZXL050BE	ZXL060BE	ZXL075BE	
Performance	R22	ET/AT/RGT	°C	-32/32/5°C								
		Capacity	kW	2.09	2.69	2.99	3.71	4.72	5.32	6.34	6.81	
		COP	W/W	1.14	1.18	1.28	1.34	1.36	1.37	1.27	1.24	
	R404A	ET/AT/RGT	°C	-32/32/5°C								
		Capacity	kW	2.41	2.83	3.54	4.19	5.18	6.26	7.52	7.98	
		COP	W/W	1.12	1.15	1.32	1.33	1.33	1.44	1.29	1.32	
	R407F	ET/AT/RGT	°C	-32/32/5°C								
		Capacity	kW	2.28	2.80	3.18	4.42	5.20	5.64	6.93	7.65	
		COP	W/W	0.99	1.02	1.02	1.34	1.29	1.26	1.27	1.29	
	Sound Pressure Level	@1m	dB(A)	56				60				
Compressor	Model Name	R22		ZX106KCTF5/7	ZX108KCTF5/7	ZX109KCTF5/7	ZX111KCTF5/7	ZX114KCTF5/7	ZX115KCTF5/7	ZX118KCTF5/7	ZX121KCTF5/7	
		R404A		ZX106KCE-TF5/7	ZX108KCE-TF5/7	ZX109KCE-TF5/7	ZX111KCE-TF5/7	ZX114KCE-TF5/7	ZX115KCE-TF5/7	ZX118KCE-TF5/7	ZX121KCE-TF5/7	
		R407F		ZX106KCE-TF5/7	ZX108KCE-TF5/7	ZX109KCE-TF5/7	ZX111KCE-TF5/7	ZX114KCE-TF5/7	ZX115KCE-TF5/7	ZX118KCE-TF5/7	ZX121KCE-TF5/7	
	Rated Load Ampere	R22	Amp	12.1	12.6	12.9	19.1	20.0	21.4	25.5	28.9	
		TF5	R404A	Amp	12.1	12.6	12.9	19.1	20.0	21.4	25.5	28.9
			R407F	Amp	12.1	12.6	12.9	19.1	20.0	21.4	25.5	28.9
	Rated Load Ampere	R22	Amp	5.4	5.5	6.9	7.7	9.9	12.6	14.1	14.4	
		TF7	R404A	Amp	5.6	6.2	6.9	8.6	9.9	12.6	14.1	14.4
			R407F	Amp	5.6	6.2	6.9	8.6	9.9	12.6	14.1	14.4
	Locked Rotor Ampere	R22	Amp	73.0/34.8	73.0/34.8	73.0/38.6	110.0/47.0	110.0/66.0	110.0/73.5	186.6/94.3	191.0/94.3	
			R404A	Amp	73.0/34.8	73.0/34.8	73.0/38.6	110.0/47.0	110.0/66.0	110.0/73.5	186.6/94.3	191.0/94.3
			R407F	Amp	73.0/34.8	73.0/34.8	73.0/38.6	110.0/47.0	110.0/66.0	110.0/73.5	186.6/94.3	191.0/94.3
	Oil Type	R22		POE								
R404A			POE									
R407F			POE									
Oil Recharge Volume	R22/R404A/R407F	Liters	0.56	0.56	0.56	1.24	1.24	1.24	1.77	1.77		
Fan Motor	Number of Fan	Pieces	1	1	1	1	2	2	2	2		
	Diameter	mm	450	450	450	450	450	450	450	450		
	Fan Speed	rpm	933	933	933	933	933	933	933	933		
	Air Flow	Total	m³/h	3483	3483	3483	3483	6966	6966	6966	6966	
	Total Fan Motor Power	Input	W	145	145	145	145	290	290	290	290	
Others	Oil Separator	Volume	Liters	0.5	0.5	0.5	0.5	0.5	0.5	0.5	0.5	
	Receiver Volume	R22	kg	5.1	5.1	5.1	5.1	5.1	5.1	5.1	5.1	
		R404A	kg	4.4	4.4	4.4	4.4	4.4	4.4	4.4	4.4	
		R407F	kg	4.5	4.5	4.5	4.5	6.4	6.4	6.4	6.4	
	Pipes	Suction OD	Inch	3/4	3/4	3/4	7/8	7/8	7/8	7/8	7/8	
		Liquid OD	Inch	1/2	1/2	1/2	1/2	1/2	1/2	1/2	1/2	
	Dimension	W x D x H	mm	1029 x 424 x 840				1029 x 424 x 1242				
Weight	Net	kg	79	81	81	93	93	106	116	121		
	Gross	kg	117	119	119	131	143	150	165	170		

Dimensional Drawings

ZX-PFJ (2 HP-4 HP)
 ZX-TFD (2HP-4HP) ZX-TF5/7 (2HP-3HP) ZXB-TFD (1.5HP-3.5HP)
 ZXL-PFJ (2HP-3HP)
 ZXL-TFD (2HP-4HP) ZXL-TF5/7 (2HP-3.5HP)
 ZXD-TFD (3HP) ZXD-TF7 (3HP)



ZX-TFD (5HP-7.6HP), ZX-TF5/7 (4HP-7.5HP), ZXB-TFD (4HP-6HP)
 ZXL-TFD (5HP-7.5HP), ZXL-TF5/7 (4HP-7.5HP), ZXD-TFD (4HP-7.6HP), ZXD-TF5/7 (4HP-7.5HP)



Model	Width	Height	Depth	Mtg	Centres	Conn. Size		Installation Clearances				
	W	H	D	X	Y	Suction*	Liquid*	a	b	c	d	e
	mm	mm	mm	mm	mm	M.Fi.	M.Fi.	mm	mm	mm	mm	mm
ZX-PFJ (2 HP-4 HP) ZX-TFD (2HP-4HP) ZX-TF5/7 (2HP-3HP) ZXB-TFD (1.5HP-3.5HP) ZXL-PFJ (2HP-3HP) ZXL-TFD (2HP-4HP) ZXL-TF5/7 (2HP-3.5HP) ZXD-TFD (3HP) ZXD-TF7 (3HP)	1029	840	424	580	388	3/4"	1/2"	300	500	300	500	500
ZX-TFD (5HP-7.6HP) ZX-TF5/7 (4HP-7.5HP) ZXB-TFD (4HP-6HP) ZXL-TFD (5HP-7.5HP) ZXL-TF5/7 (4HP-7.5HP) ZXD-TFD (4HP-7.6HP), ZXD-TF5/7 (4HP-7.5HP)	1029	1242	424	580	388	7/8"	1/2"	300	500	300	500	500

Packing Information

Container Loading, ZX Platform Condensing Unit					
Family	Model	Motor Code	Fan Type	20FT	40FT/ 40FT H
ZX/ZXB	ZXB015BE	TFD	Single Fan	40	80
	ZXB020BE / ZX020B0(E)	PFJ/TFD/TF5/TF7		40	80
	ZXB025BE / ZX025B0(E)	PFJ/TFD		40	80
	ZXB030BE / ZX030B0(E)	PFJ/TFD/TF5/TF7		40	80
	ZXB035BE	TFD		40	80
	ZX040B0(E)	PFJ		40	80
	ZXB040BE / ZX040B0(E)	TFD/TF5/TF7	Dual Fan	20	40
	ZXB050BE / ZX050B0(E)	TFD/TF5/TF7		20	40
	ZXB060BE	TFD		20	40
	ZX060B0(E)	TFD/TF5/TF7		20	40
	ZX075B0(E)	TFD/TF5/TF7		20	40
	ZX076B0(E)	TFD/TF5/TF7		20	40
	ZXD	ZXD030B0(E)		TFD/TF7	Single Fan
ZXD040B0(E)		TFD/TF5/TF7	Dual Fan	20	40
ZXD050B0(E)		TFD/TF5/TF7		20	40
ZXD060B0(E)		TFD/TF5/TF7		20	40
ZXD075B0(E)		TFD/TF5/TF7		20	40
ZXD076B0(E)		TFD/TF5/TF7		20	40
ZXL	ZXL020B0(E)	PFJ/TFD/TF5/TF7	Single Fan	40	80
	ZXL025B0(E)	PFJ/TFD/TF5/TF7		40	80
	ZXL030B0(E)	PFJ/TFD/TF5/TF7		40	80
	ZXL035B0(E)	PFJ/TFD/TF5/TF7		40	80
	ZXL040B0(E)	TFD		40	80
	ZXL040B0(E)	TF5/TF7	Dual Fan	20	40
	ZXL050B0(E)	TFD/TF5/TF7		20	40
	ZXL060B0(E)	TFD/TF5/TF7		20	40

Conversion Chart

Units Conversion Chart
KCALH x 3.9683 = BTUH
WATTS x 3.413 = BTU/H
1.80 x °C + 32 = °F
KILOGRAMS x 2.205 = POUNDS
MILLIMETERS x 0.0394 = INCHES
CUBIC CENTIMETERS x 0.06102 = CUBIC INCHES
CUBIC METERS x 35.3147 = CUBIC FEET
LITERS x 33.8181 = FLUID OUNCES
KILOWATTS x 1.341 = HORSEPOWER
BAR x 14.7 = PSI

PRESSURE TEMPERATURE CHART AT SEA LEVEL

°C	R-134a	R22	R404A HP 62	R407F Vapor	R407F Liquid	R407A Vapor	R407A Liquid	R407C Vapor	R407C Liquid	R408A	R410A	R502	R507A AZ50*	°F
-45.6	0.63	0.21	0.00	-0.26	0.03	0.30	0.03	0.37	0.09	0.07	0.34	-0.03	0.06	-50.0
-44.4	0.61	0.16	0.05	-0.22	0.08	0.26	0.03	0.33	0.04	0.02	0.41	0.02	0.12	-48.0
-43.3	0.59	0.12	0.11	-0.17	0.14	0.22	0.08	0.29	0.01	0.04	0.48	0.08	0.18	-46.0
-42.2	0.56	0.06	0.17	-0.12	0.20	0.17	0.14	0.25	0.07	0.10	0.57	0.14	0.24	-44.0
-41.1	0.53	0.01	0.23	-0.07	0.27	0.12	0.21	0.20	0.13	0.15	0.65	0.19	0.30	-42.0
-40.0	0.50	0.04	0.30	-0.02	0.34	0.07	0.27	0.16	0.19	0.21	0.74	0.26	0.37	-40.0
-38.9	0.47	0.10	0.37	0.04	0.41	0.01	0.34	0.11	0.26	0.28	0.83	0.32	0.44	-38.0
-37.8	0.44	0.15	0.43	0.10	0.48	0.04	0.41	0.06	0.32	0.34	0.92	0.39	0.52	-36.0
-36.7	0.41	0.21	0.51	0.16	0.56	0.10	0.48	0.00	0.39	0.41	1.01	0.46	0.59	-34.0
-35.6	0.37	0.28	0.59	0.22	0.64	0.16	0.56	0.06	0.46	0.48	1.12	0.53	0.68	-32.0
-34.4	0.33	0.34	0.66	0.29	0.72	0.23	0.63	0.11	0.53	0.55	1.22	0.60	0.75	-30.0
-33.3	0.29	0.41	0.74	0.36	0.80	0.29	0.72	0.17	0.61	0.63	1.33	0.68	0.84	-28.0
-32.2	0.25	0.48	0.83	0.43	0.89	0.36	0.80	0.23	0.69	0.71	1.44	0.76	0.93	-26.0
-31.1	0.21	0.55	0.92	0.51	0.98	0.43	0.89	0.30	0.77	0.79	1.56	0.84	1.02	-24.0
-30.0	0.17	0.63	1.01	0.59	1.08	0.51	0.98	0.37	0.86	0.88	1.68	0.93	1.12	-22.0
-28.9	0.13	0.70	1.10	0.67	1.18	0.59	1.08	0.45	0.94	0.97	1.81	1.01	1.21	-20.0
-27.8	0.08	0.79	1.20	0.75	1.28	0.67	1.17	0.52	1.04	1.06	1.94	1.11	1.32	-18.0
-26.7	0.03	0.87	1.30	0.84	1.39	0.75	1.28	0.60	1.14	1.15	2.07	1.20	1.42	-16.0
-25.6	0.02	0.96	1.41	0.93	1.50	0.84	1.38	0.68	1.23	1.25	2.21	1.30	1.53	-14.0
-24.4	0.08	1.05	1.52	1.03	1.61	0.93	1.49	0.77	1.34	1.35	2.35	1.40	1.64	-12.0
-23.3	0.13	1.14	1.63	1.13	1.73	1.03	1.60	0.85	1.44	1.46	2.50	1.51	1.76	-10.0
-22.2	0.19	1.23	1.74	1.23	1.85	1.12	1.72	0.94	1.55	1.57	2.66	1.61	1.88	-8.0
-21.1	0.25	1.34	1.86	1.34	1.98	1.23	1.83	1.03	1.67	1.68	2.81	1.73	2.00	-6.0
-20.0	0.32	1.44	1.99	1.45	2.11	1.33	1.96	1.13	1.79	1.79	2.98	1.84	2.13	-4.0
-18.9	0.38	1.54	2.12	1.56	2.24	1.44	2.09	1.23	1.91	1.91	3.15	1.96	2.26	-2.0
-17.8	0.45	1.66	2.25	1.68	2.38	1.55	2.22	1.34	2.03	2.03	3.32	2.08	2.40	0.0
-16.7	0.52	1.77	2.39	1.80	2.52	1.67	2.36	1.45	2.17	2.16	3.50	2.21	2.54	2.0
-15.6	0.59	1.89	2.52	1.93	2.67	1.79	2.50	1.56	2.30	2.29	3.69	2.34	2.68	4.0
-14.4	0.66	2.01	2.67	2.06	2.82	1.92	2.65	1.68	2.43	2.43	3.88	2.48	2.83	6.0
-13.3	0.74	2.14	2.82	2.20	2.98	2.05	2.80	1.80	2.58	2.57	4.08	2.61	2.99	8.0
-12.2	0.82	2.26	2.97	2.34	3.14	2.18	2.95	1.92	2.72	2.71	4.29	2.76	3.15	10.0
-11.1	0.90	2.40	3.13	2.48	3.31	2.32	3.11	2.05	2.88	2.86	4.50	2.90	3.31	12.0
-10.0	0.99	2.54	3.30	2.63	3.48	2.46	3.28	2.19	3.03	3.01	4.72	3.06	3.48	14.0
-8.9	1.08	2.68	3.46	2.79	3.66	2.61	3.45	2.32	3.19	3.17	4.94	3.21	3.66	16.0
-7.8	1.17	2.82	3.63	2.94	3.84	2.76	3.62	2.46	3.36	3.32	5.17	3.37	3.83	18.0
-6.7	1.27	2.97	3.81	3.11	4.03	2.92	3.80	2.61	3.53	3.49	5.41	3.53	4.01	20.0
-5.6	1.37	3.12	4.00	3.28	4.22	3.08	3.99	2.77	3.71	3.66	5.65	3.70	4.21	22.0
-4.4	1.47	3.28	4.19	3.45	4.42	3.25	4.18	2.92	3.89	3.84	5.90	3.88	4.40	24.0
-3.3	1.58	3.45	4.38	3.63	4.63	3.42	4.37	3.08	4.08	4.02	6.15	4.06	4.60	26.0
-2.2	1.69	3.61	4.58	3.82	4.84	3.60	4.57	3.25	4.27	4.21	6.42	4.23	4.80	28.0
-1.1	1.80	3.79	4.78	4.01	5.05	3.78	4.78	3.42	4.46	4.39	6.69	4.43	5.01	30.0
0.0	1.92	3.97	4.99	4.21	5.28	3.97	4.99	3.59	4.67	4.59	6.97	4.62	5.23	32.0
1.1	2.03	4.15	5.21	4.41	5.51	4.17	5.21	3.78	4.88	4.79	7.26	4.81	5.45	34.0
2.2	2.16	4.34	5.43	4.62	5.74	4.37	5.43	3.97	5.09	5.00	7.55	5.02	5.68	36.0
3.3	2.28	4.53	5.66	4.84	5.98	4.57	5.67	4.16	5.31	5.21	7.86	5.23	5.91	38.0
4.4	2.41	4.73	5.89	5.06	6.23	4.79	5.90	4.36	5.53	5.43	8.17	5.44	6.15	40.0
5.6	2.55	4.93	6.12	5.29	6.48	5.00	6.14	4.56	5.77	5.65	8.48	5.66	6.39	42.0
6.7	2.69	5.14	6.37	5.52	6.74	5.23	6.40	4.77	6.00	5.88	8.81	5.89	6.65	44.0
7.8	2.83	5.35	6.62	5.76	7.01	5.46	6.66	4.99	6.25	6.12	9.14	6.12	6.90	46.0
8.9	2.98	5.57	6.88	6.01	7.28	5.70	6.92	5.21	6.50	6.36	9.48	6.35	7.17	48.0

PRESSURE TEMPERATURE CHART AT SEA LEVEL

°C	R-134a	R22	R404A HP 62	R407F Vapor	R407F Liquid	R407A Vapor	R407A Liquid	R407C Vapor	R407C Liquid	R408A	R410A	R502	R507A AZ50*	°F
10.0	3.13	5.80	7.14	6.26	7.57	5.94	7.19	5.43	6.75	6.60	9.83	6.59	7.44	50.0
11.1	3.29	6.03	7.41	6.52	7.85	6.19	7.46	5.67	7.01	6.86	10.20	6.84	7.72	52.0
12.2	3.45	6.26	7.70	6.79	8.15	6.44	7.74	5.91	7.28	7.11	10.57	7.10	8.01	54.0
13.3	3.61	6.51	7.98	7.07	8.45	6.71	8.03	6.16	7.56	7.38	10.94	7.35	8.30	56.0
14.4	3.79	6.76	8.27	7.35	8.76	6.98	8.33	6.41	7.84	7.65	11.34	7.62	8.59	58.0
15.6	3.96	7.01	8.57	7.64	9.08	7.26	8.63	6.68	8.13	7.93	11.73	7.89	8.90	60.0
16.7	4.14	7.27	8.88	7.94	9.40	7.54	8.94	6.94	8.43	8.21	12.14	8.17	9.21	62.0
17.8	4.32	7.54	9.19	8.24	9.74	7.83	9.26	7.22	8.74	8.50	12.56	8.46	9.54	64.0
18.9	4.51	7.81	9.50	8.55	10.08	8.13	9.59	7.50	9.05	8.80	12.99	8.74	9.86	66.0
20.0	4.70	8.09	9.83	8.88	10.43	8.44	9.92	7.79	9.37	9.10	13.42	9.04	10.20	68.0
21.1	4.90	8.37	10.17	9.20	10.78	8.76	10.26	8.09	9.69	9.42	13.87	9.34	10.54	70.0
22.2	5.11	8.67	10.51	9.54	11.15	9.08	10.61	8.39	10.03	9.74	14.32	9.66	10.89	72.0
23.3	5.32	8.97	10.86	9.89	11.52	9.41	10.97	8.70	10.37	10.06	14.79	9.98	11.25	74.0
24.4	5.53	9.28	11.22	10.24	11.90	9.75	11.34	9.03	10.72	10.40	15.27	10.30	11.62	76.0
25.6	5.75	9.59	11.59	10.60	12.29	10.10	11.71	9.35	11.07	10.74	15.76	10.63	11.99	78.0
26.7	5.98	9.90	11.96	10.98	12.69	10.46	12.09	9.69	11.43	11.09	16.26	10.97	12.38	80.0
27.8	6.21	10.23	12.34	11.36	13.10	10.82	12.48	10.03	11.81	11.44	16.77	11.32	12.77	82.0
28.9	6.45	10.57	12.73	11.75	13.52	11.19	12.88	10.39	12.19	11.81	17.29	11.67	13.17	84.0
30.0	6.69	10.91	13.13	12.15	13.94	11.57	13.28	10.75	12.58	12.18	17.83	12.03	13.58	86.0
31.1	6.94	11.26	13.54	12.55	14.38	11.97	13.70	11.12	12.98	12.56	18.37	12.40	13.99	88.0
32.2	7.19	11.61	13.96	12.97	14.82	12.37	14.12	11.50	13.39	12.94	18.93	12.78	14.42	90.0
33.3	7.46	11.98	14.39	13.40	15.27	12.78	14.56	11.88	13.80	13.34	19.50	13.16	14.86	92.0
34.4	7.72	12.35	14.82	13.84	15.74	13.20	15.01	12.28	14.23	13.74	20.08	13.55	15.30	94.0
35.6	7.99	12.73	15.26	14.29	16.21	13.63	15.46	12.69	14.66	14.16	20.68	13.95	15.76	96.0
36.7	8.28	13.12	15.72	14.74	16.69	14.06	15.92	13.10	15.10	14.58	21.28	14.36	16.22	98.0
37.8	8.57	13.51	16.18	15.21	17.19	14.51	16.39	13.52	15.55	15.01	21.90	14.78	16.70	100.0
38.9	8.86	13.92	16.66	15.69	17.69	14.97	16.87	13.96	16.01	15.45	22.53	15.20	17.18	102.0
40.0	9.15	14.32	17.14	16.18	18.20	15.44	17.36	14.41	16.48	15.90	23.18	15.63	17.67	104.0
41.1	9.46	14.74	17.63	16.68	18.72	15.92	17.86	14.86	16.96	16.35	23.84	16.08	18.17	106.0
42.2	9.77	15.17	18.13	17.19	19.26	16.41	18.37	15.32	17.45	16.82	24.51	16.52	18.69	108.0
43.3	10.10	15.61	18.65	17.71	19.80	16.91	18.89	15.79	17.95	17.29	25.20	16.99	19.21	110.0
44.4	10.42	16.06	19.17	18.25	20.36	17.43	19.42	16.28	18.46	17.78	25.90	17.45	19.74	112.0
45.6	10.76	16.51	19.70	18.79	20.92	17.94	19.97	16.78	18.97	18.27	26.61	17.93	20.29	114.0
46.7	11.10	16.97	20.25	19.35	21.50	18.48	20.52	17.28	19.50	18.77	27.34	18.41	20.85	116.0
47.8	11.45	17.45	20.81	19.92	22.09	19.03	21.08	17.80	20.04	19.29	28.09	18.91	21.41	118.0
48.9	11.81	17.93	21.37	20.50	22.69	19.59	21.66	18.33	20.59	19.81	28.85	19.41	21.99	120.0
50.0	12.17	18.42	21.95	21.10	23.30	20.16	22.23	18.87	21.15	20.34	29.62	19.92	22.59	122.0
51.1	12.54	18.92	22.54	21.71	23.92	20.74	22.83	19.42	21.72	20.89	30.41	20.45	23.19	124.0
52.2	12.92	19.43	23.14	22.33	24.55	21.33	23.44	19.99	22.30	21.44	31.22	20.99	23.80	126.0
53.3	13.31	19.94	23.75	22.96	25.20	21.94	24.06	20.56	22.90	22.01	32.04	21.52	24.43	128.0
54.4	13.70	20.48	24.38	23.61	25.86	22.56	24.68	21.14	23.50	22.58	32.88	22.08	25.07	130.0
55.6	14.11	21.01	25.02	24.27	26.53	23.19	25.32	21.75	24.12	23.17	33.74	22.65	25.72	132.0
56.7	14.52	21.56	25.67	24.94	27.21	23.84	25.98	22.36	24.74	23.77	34.61	23.22	26.39	134.0
57.8	14.94	22.12	26.34	25.63	27.90	24.50	26.64	22.99	25.38	24.37	35.50	23.81	27.06	136.0
58.9	15.37	22.69	27.01	26.34	28.61	25.18	27.32	23.63	26.03	24.99	36.41	24.40	27.75	138.0
60.0	15.81	23.27	27.70	27.06	29.33	25.87	28.01	24.28	26.69	25.62	37.34	25.01	28.46	140.0
61.1	16.26	23.86	28.41	27.79	30.07	26.57	28.71	24.94	27.36	26.27	38.29	25.62	29.18	142.0
62.2	16.71	24.46	29.13	28.54	30.81	27.29	29.43	25.63	28.04	26.92	39.26	26.26	29.92	144.0
63.3	17.17	25.07	29.87	29.31	31.57	28.02	30.15	26.32	28.74	27.59	40.24	26.90	30.67	146.0
64.4	17.65	25.69	30.61	30.09	32.35	28.77	30.90	27.03	29.45	28.27	41.25	27.54	31.43	148.0
65.6	18.13	26.32	31.39	30.89	33.13	29.54	31.65	27.76	30.17	28.96	42.28	28.21	32.22	150.0

General Information

Technical data are correct at the time of printing. Updates may occur, and should you need confirmation of a specific value, please contact Emerson Climate Technologies™ stating clearly the information required.

Emerson Climate Technologies cannot be held responsible for errors in capacities, dimensions, etc., stated herein. Products, specifications, and data in this literature are subject to change without notice.

The information given herein is based on data and tests which Emerson Climate Technologies believes to be reliable and which are in accordance with today's technical knowledge. It is intended for use by persons having the appropriate technical knowledge and skill, at their own discretion and risk. Our products are designed and adapted for fixed locations. For mobile applications, failures may occur.

The suitability for this has to be assured from the plant manufacturer, which may include making appropriate tests.

Note:

The components listed in this catalogue are not released for use with caustic, poisonous or flammable substances. Emerson Climate Technologies cannot be held responsible for any damage caused by using these substances.

Contact Lists

Asia Pacific Headquarters

Emerson Climate Technologies
Suite No. 2503-8, 25/F,
Exchange Tower, 33 Wang Chiu Road,
Kowloon Bay, Kowloon, Hong Kong
Tel: (852) 2866 3108
Fax: (852) 2520 6227

Australia

Emerson Climate Technologies Australia
Pty Ltd
356 Chisholm Road
Auburn NSW 2144, Australia
Tel: (612) 9795 2800
Fax: (612) 9738 1699

China - Beijing

Emerson Climate Technologies (Suzhou)
Co. Ltd
Beijing Sales Office
Room 1017 JianWei Building,
66 Nan Lishi Road, XiCheng District,
Beijing, PRC
Tel: (8610) 5763 0488
Fax: (8610) 5763 0499

China - Guangzhou

Emerson Climate Technologies (Suzhou)
Co. Ltd
Guangzhou Sales Office
508-509 R&F Yinglong Plaza,
No. 76 Huangpu Road West,
Guangzhou, PRC
Tel: (8620) 2886 7668
Fax: (8620) 2886 7622

China - Shanghai

Emerson Climate Technologies
(Suzhou) Co. Ltd
Shanghai Sales Office
7F, Emerson Building, 1582 Gu Mei Road
Shanghai 200233, P.R.China
Tel: (8621) 3338 7333

India - Mumbai

Emerson Climate Technologies (India) Ltd
Delphi B-Wing, 601-602, 6th Floor
Central Avenue, Hiranandani Business Park,
Powai, Mumbai 400076
Tel: (9122) 6786 0793
Fax: (9122) 6662 0500

India - PUNE

Emerson Climate Technologies (India) Ltd
Plot No. 23, Rajiv Gandhi Infotech Park,
Phase - II, Hinjewadi,
Pune 411 057, Maharashtra, India
Tel: (9120) 4200 2000
Fax: (9120) 4200 2099

Indonesia

PT Emerson Indonesia
BSD Taman Tekno 8
Jl. Tekno Widya Blok H10 No 2 & 3
Tangerang Selatan 15314
Indonesia
Tel: (6221) 2666244
Fax: (6221) 2666245

Japan

Emerson Japan Ltd
Shin-yokohama Tosho Building
No. 3-9-5 Shin-Yokohama, Kohoku-ku
Yokohama 222-0033 Japan
Tel: (8145) 475 6371
Fax: (8145) 475 3565

Malaysia

Emerson Electric (Malaysia) Sdn. Bhd.
Level M2, Blk A, Menara PKNS-PJ
Jalan Yong Shook Lin
46050 Petaling Jaya, Selangor, Malaysia
Tel: (603) 7949 9222
Fax: (603) 7949 9333

Middle East & Africa

Emerson Climate Technologies
PO Box 26382
Jebel Ali Free Zone – South
Dubai, UAE
Tel: (9714) 811 8100
Fax: (9714) 886 5465

Philippines

Emerson Climate Technologies
10/F SM Cyber West Avenue, EDSA cor.
West Avenue, Barangay Bungad, Diliman,
Quezon City 1105 Philippines
Tel: (632) 689 7200

South Korea

Emerson Electric Korea Ltd.
3F POBA Gangnam Tower
343, Hakdong-ro, Gangnam-gu,
Seoul 135-820, Republic of Korea
Tel: (822) 3483 1500
Fax: (822) 592 7883

Taiwan

Emerson Electric (Taiwan) Co. Ltd
3F No. 2 DunHua South Road Sec.1,
Taipei (105), Taiwan
Tel: (8862) 8161 7688
Fax: (8862) 8161 7614

Thailand - Bangkok

Emerson Electric (Thailand) Ltd
34th Floor, Interlink Tower,
1858/133, Bangna Trad,
Bangkok 10260, Thailand
Tel: (662) 716 4700
Fax: (662) 751 4241

Vietnam

Emerson Climate Technologies - Vietnam
Suite 307-308,
123 Truong Dinh St., Dist.3
Ho Chi Minh, Vietnam
Tel: (84) 908 009 189

EmersonClimateAsia.com

Asia 02 A01 03 – R00 Issued 12/2015 – GSCAA057

Emerson and Copeland Scroll are trademarks of Emerson Electric Co. or one of its affiliated companies.
©2015 Emerson Climate Technologies, Inc. All rights reserved.

EMERSON. CONSIDER IT SOLVED.™