

Contact us at

Sales Office

Ahmedabad
Emerson Climate Technologies (India) Ltd.
54, Shivam Estate, S. G. Highway, Sarkhej,
AHMEDABAD - 382 210
Gujarat, India
Tel: (91-79) 6943 1993

Chennai
Emerson Climate Technologies (India) Ltd.
New No.10, Postal Colony II street
West Mambalam
Chennai 600 033
Tamil Nadu, India
Tel : (91-44) 2371 8771/8772/8773
Fax : (91-44) 2371 8979

Faridabad
Emerson Climate Technologies (India) Ltd.
3B-3B.P., NIT
Faridabad 120 001
Haryana, India
Tel : (91-129) 2414581 , 2431037

New Delhi
Emerson Climate Technologies (India) Ltd.
56, Rama Road Industrial Area
Nr. Mahindra Showroom
New Delhi 110 015 India
Tel: (91-11) 2511 1861/1862/1863/1864
Fax: (91-11) 2545 7748

Registered Head Office

Emerson Climate Technologies (India) Limited
Plot No. 23, Rajiv Gandhi Infotech Park, Phase - II, Hinjewadi, Pune - 411 057
Tel: (91-20) 4200 2000, Fax: (91-20) 4200 2099

Plant
Atit Pali Road, Atit - 415 519, Maharashtra
Tel: (91-2162) 262068 / 262077, Fax: (91-2162) 262069

Technical Helpdesk: 1800 209 1700
E-mail: ClimateIndia@Emerson.com

Warehouse

Kolkata
Emerson Climate Technologies (India) Ltd.
35/7, Tollygunje Circular Road
P.S. New Alipore
Kolkata 700 053
West Bengal, India
Tel: (91-33) 2400 2779/2400 2781
Fax: (91-33) 2400 2784

Mumbai
Emerson Climate Technologies (India) Ltd.
Unit No. 4,5,6 & 7, Bhaveshwar Arcade
LBS Marg, Opp. Shreyas Cinema
Ghatkopar (West) Mumbai 400 086
Maharashtra, India
Tel: (91-22) 4270 8000
Fax: (91-22) 2500 6570

Secunderabad
Emerson Climate Technologies (India) Ltd.
1141, Rashtrapathi Road
Nr. Sree Gujarati Seva Mandal
Secunderabad 500 003
Andhra Pradesh, India
Tel : (91-40) 2753 0834/0835, 5526 0411
Fax: (91-40) 2753 0832

Bengaluru
Emerson Climate Technologies (India) Ltd.
No.21, K. H. Road
Bengaluru 560 027
Karnataka, India
Tel : (91-80) 2222 0327
Fax : (91-80) 2227 6280

Pune
Emerson Climate Technologies (India) Ltd.
Newaskar Warehouse Corporation,
745/1 (746/1 Old), Near Lexicon
International School, Pune - Nagar Road, Wagholi,
Pune 412207
Maharashtra, India
Tel: (91-20) 64730217

Chandigarh
Emerson Climate Technologies (India) Ltd.
177, Industrial Area, Phase II,
Nr. Sree Gujarati Seva Mandal
Chandigarh - 160 002 India
Tel : (91-172) 2653987

Lucknow
Emerson Climate Technologies (India) Ltd.
Sumiran Bhavan, B-1/56, Sector B,
Aliganj, Lucknow - 226 024
Uttar Pradesh, India
Tel : (91-522) 2371922

COMMERCIAL REFRIGERATION COMPRESSORS



As we are constantly endeavoring to improve the performance of our models, the specifications mentioned here are subject to change from time to time. The Emerson logo is a trademark and a service mark of Emerson Electric Co.

ASIA10B030303412

Copeland
brand products

EMERSON
Climate Technologies

Copeland
brand products

EMERSON
Climate Technologies

EMERSON. CONSIDER IT SOLVED.

Emerson At-a-Glance

- Founded In 1890
- Presence In More Than 150 Countries (Manufacturing And Sales)
- 255 Manufacturing Locations, 165 Outside The U.S.
- FORTUNE 500 List Of America's Largest Corporations



Headquarters in St. Louis, Mo.



Computer Aided Engineering Facility at Karad, India



Manufacturing Plant at Atit, India

Our Driving Force:

Vision

Emerson Climate Technologies, with our partners, will provide global solutions to improve human comfort, safeguard food and protect the environment.

Mission

To become the industry's steward and trusted partner by:

- Becoming an incredibly easy company to do business with through eBusiness and a culture of customer service
- Expanding our technology leadership position
- Using our broad capabilities in products and services to develop unique, high-value integrated solutions
- Being the best value provider for products and services
- Maintaining a work environment where our people and their ideas flourish

About Emerson Climate Technologies (India) Limited

Emerson is a global Company that brings together technology and engineering to provide innovative solutions for our customers in a wide range of industrial, commercial and consumer markets. Our priority is to design, produce and deliver products, systems and solutions that make people's lives better.

Emerson Climate Technologies (India) Limited is offering innovative, energy efficient, environment friendly and reliable compressors to a broad range of customers across India and overseas, for the last four decades.

Fractional and Integral Horse Power compressors provide perfect cooling, creating value for its users. The compressors are manufactured in Atit Plant, which has state-of-the-art facilities and acclaimed to have "Gold Rating" under Emerson's Plant Technology Franchise Standards.

The performance of the compressors is optimized using CAE facilities. The components are sourced internationally and have been subjected to stringent Qualification Standards of Emerson Climate Technologies. The performance of compressors is validated by testing in a suitable appliance at an ambient of 46°C.

The countrywide Sales and Service network of Emerson Climate Technologies (India) Limited is positioned to provide prompt service to our Customers.



Product Approvals*



*For majority of the models.

Copeland Reciprocating Compressors

Partner For All Your Cooling Needs With Energy Efficient And Rugged Designs



FHP Applications

Low Back Pressure

- Chest Freezers
- Softy Machines
- Ice Cube Machine
- Centrifuge, Low Temp Baths
- Blood / Plasma Storage

Commercial Back Pressure

- Chest Coolers
- Display Cabinets
- Visi Coolers

High Back Pressure

- Water Coolers
- Air Dryers, Panel Coolers
- Oil Coolers



KCE 1/6 to 1/2 HP R22, R134a



KCN 1/6 to 1/2 HP R134a, R404A

IHP Applications

Showcase

- Multi Deck
- Cabinet
- Island Freezer

Cold Rooms

- Small Flake Ice Machines
- Environmental Chamber
- Clean Air Room
- Water Chiller
- Bulk Milk Cooler



KCJ 1 to 1 1/4 HP R22, R404A



CR6/KCM 1.3 to 3 1/2 HP, R22, R134a, R404A

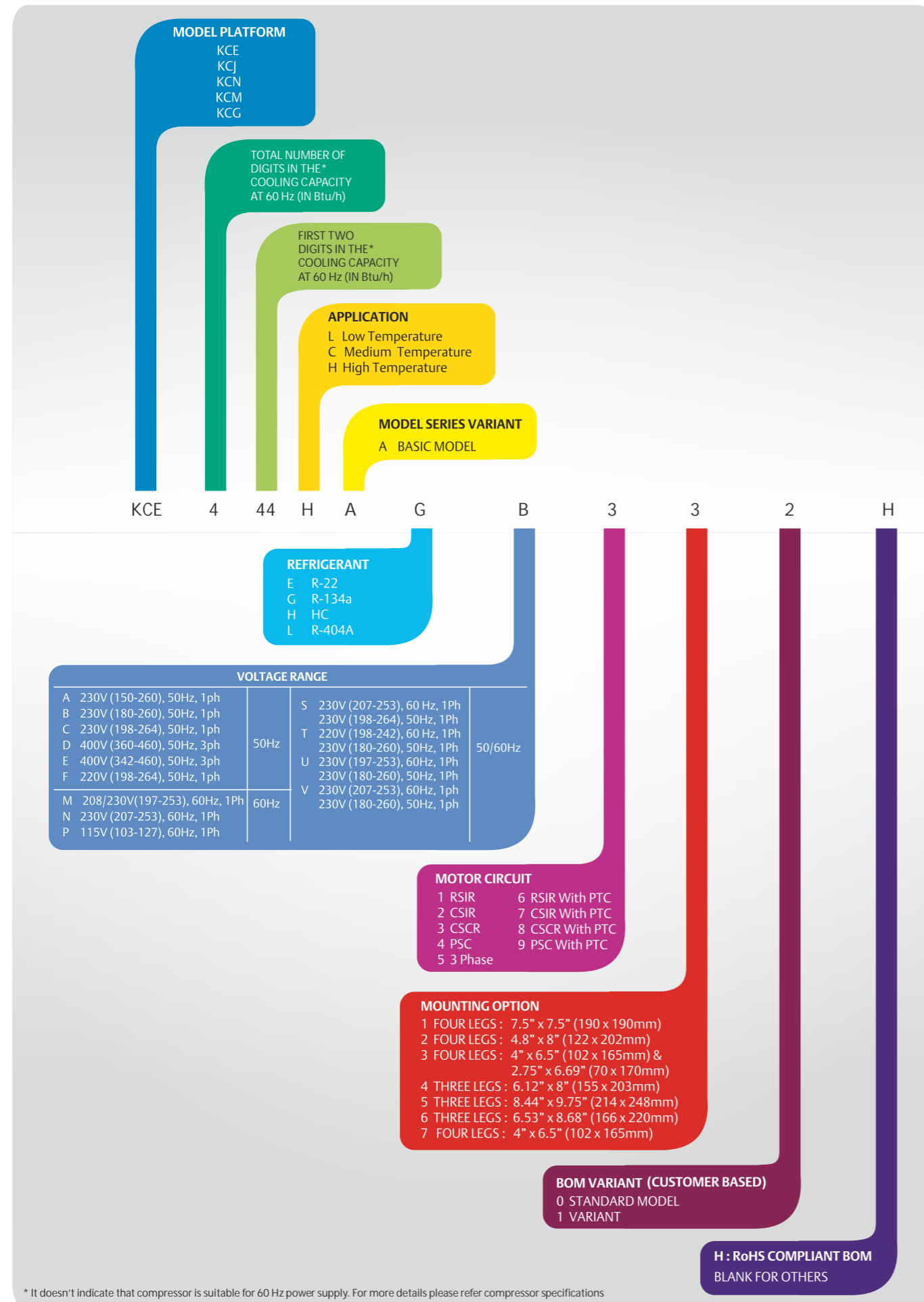


KCJ 1/4 to 1HP R22, R134a, R404A



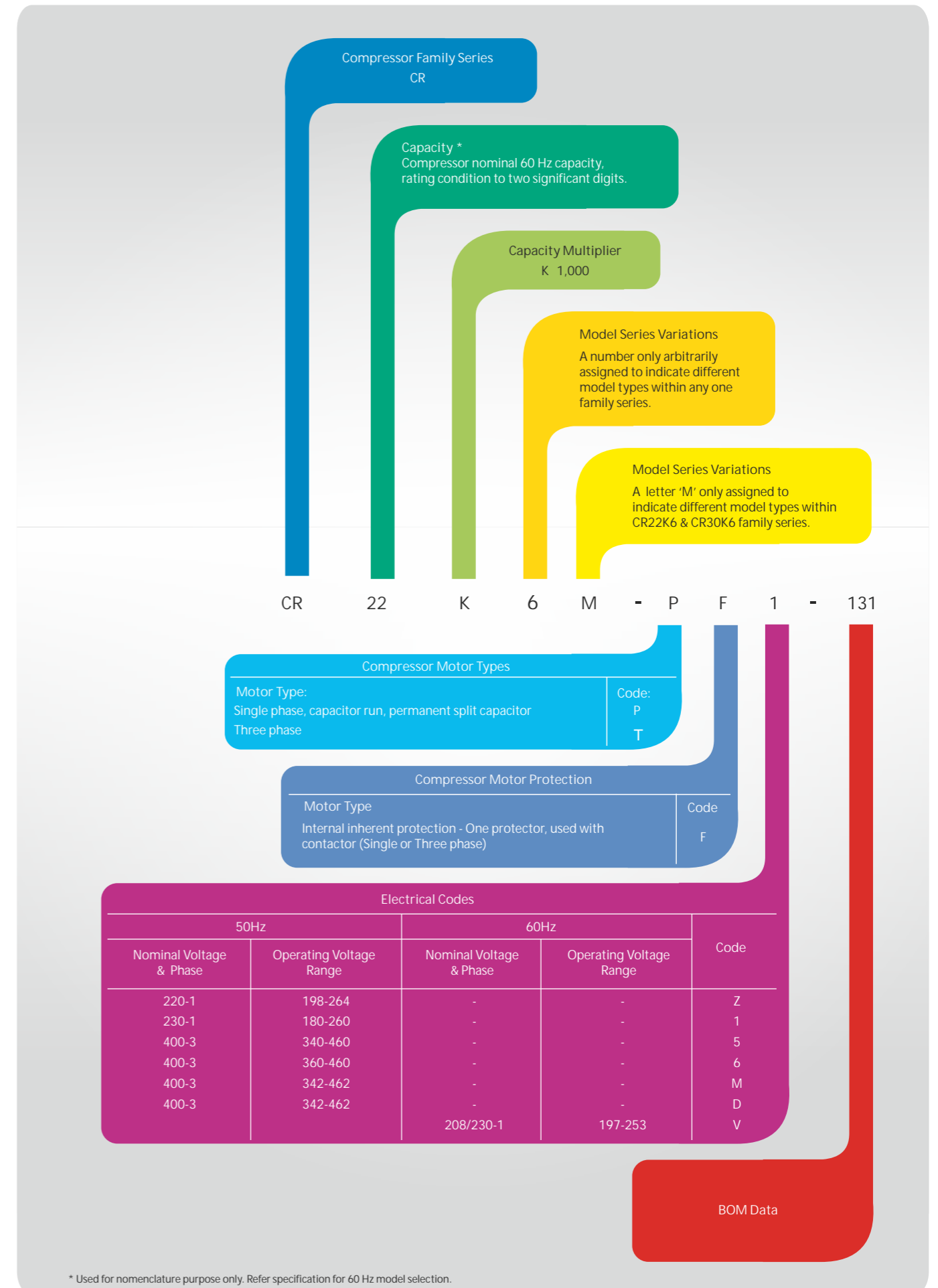
CRKQM 3 1/2 to 5HP R22

KCX Series Compressor Nomenclature



* It doesn't indicate that compressor is suitable for 60 Hz power supply. For more details please refer compressor specifications

CR Series Compressor Nomenclature



* Used for nomenclature purpose only. Refer specification for 60 Hz model selection.

Performance Nominals And Specifications

R22 High Temperature

Model	Hz	Displacement (CC/rev)	Performance at ASRE/T Rated Condition				Refrigeration Capacity (Watts) #							
			Capacity		Power	Current	Evap. Temp. / Cond. Temp. (°C)	-17.8	-15	-10	-5	0	5	
			Btu/hr	W	W	A								
R22, 1Phase														
KCE443HAE	50	8.00	3,603	1,055	460	2.10	43.3	-	-	-	692	894	1,125	
KCE461HAE	50	11.50	5,102	1,494	625	2.90	43.3	-	-	-	1,047	1,323	1,649	
							54.4	-	-	-	840	1,082	1,347	
							60	6,103	1,787	740	3.30	43.3	-	-
KCIJ511HAE	50	18.27	9,150	2,681	1,020	4.70	54.4	-	-	-	1,001	1,289	1,605	
							43.3	-	-	-	1,647	2,025	2,807	
							60	10,505	3,076	1,175	5.30	43.3	-	-
KCIJ513HAE	50	25.91	12,806	3,750	1,440	6.80	54.4	-	-	-	1,911	2,348	3,256	
							43.3	-	-	-	1,500	1,847	2,652	
							60	14,507	4,248	1,720	7.96	43.3	1,605	1,732
CR22K6M-PF1	50	40.80	18,963	5,553	1,750	7.80	54.4	1,306	1,419	1,681	2,067	2,573	3,220	
							43.3	1,830	2,001	2,258	2,761	3,494	4,301	
							60	54.4	1,489	1,618	1,917	2,357	2,933	3,671
CR30K6M-PF1	50	51.47	24,870	7,283	2,350	11.00	43.3	1,421	1,909	2,803	3,740	4,783	6,017	
							54.4	-	-	-	2,065	2,912	3,822	4,881
							60	54.4	2,021	2,559	3,666	4,946	6,340	7,916
CR36K6-PFZ	50	59.65	30,051	8,800	2,720	13.60	43.3	2,412	3,120	4,526	5,965	7,563	9,366	
							54.4	-	-	-	3,264	4,774	6,220	7,847
							60	43.3	3,203	3,882	5,300	7,018	9,014	11,282
CR42K6-PFZ	50	72.08	36,103	10,572	3,240	15.40	54.4	-	-	4,155	5,659	7,402	9,404	
							43.3	2,842	3,992	6,091	8,285	10,560	12,932	
							60	54.4	2,842	3,992	6,091	8,285	10,560	12,932
CR47KQM-PFZ	50	82.74	41,752	12,226	3,950	20.00	43.3	4,248	5,406	7,489	9,732	12,311	15,179	
							54.4	-	-	-	6,004	8,034	10,261	1,2720
							60	48,729	14,269	4,650	22.00	43.3	4,248	5,406
R22, 3 Phase														
CR22K6M-TFM	50	40.80	18,254	5,345	1,750	3.20	43.3	1,574	1,906	2,649	3,571	4,666	5,952	
							54.4	-	-	-	1,930	2,733	3,690	4,805
							60	43.3	2,050	2,647	3,697	4,857	6,132	7,638
CR30K6M-TFM	50	51.47	24,307	7,118	2,275	4.20	54.4	-	-	2,773	3,787	4,893	6,224	
							43.3	2,556	3,222	4,496	5,931	7,515	9,301	
							60	54.4	-	-	3,405	4,744	6,188	7,796
CR36K6-TF6	50	59.66	29,844	8,739	2,680	4.90	43.3	3,382	4,014	5,367	6,979	8,823	10,977	
							54.4	-	-	-	4,231	5,594	7,227	9,114
							60	43.3	4,583	5,325	6,756	8,387	10,227	12,522
CR42K6-TF5	50	72.09	35,077	10,272	3,300	6.10	54.4	-	-	5,722	7,239	8,986	10,791	
							43.3	5,534	6,431	8,170	10,148	12,351	15,110	
							60	54.4	-	-	6,901	8,746	10,883	13,028
CR47KQM-TFD	50	78.78	40,692	11,916	3,825	6.90	43.3	5,805	6,785	8,682	10,860	13,321	16,304	
							54.4	-	-	-	7,405	9,380	11,660	14,216
							60	43.3	5,805	6,785	8,682	10,860	13,321	16,304
CR53KQM-TFD	50	88.28	45,816	13,416	4,350	7.70	54.4	-	-	7,405	9,380	11,660	14,216	
							43.3	4,450	5,551	7,517	9,767	12,568	15,370	
							60	54.4	-	-	5,880	7,983	10,448	12,913
CR57KQM-TFD	50	94.61	48,995	14,347	4,650	8.30	43.3	5,432	6,695	8,950	11,555	14,839	18,117	
							54.4	-	-	-	6,822	9,340	12,353	15,365
							60	43.3	5,860	6,878	8,695	10,794	13,442	16,089
CR62KQM-TFD	50	101.92	52,789	15,458	5,100	8.80	54.4	-	-	7,416	9,375	11,714	14,052	
							43.3	7,091	8,320	10,516	13,061	16,283	19,506	
							60	54.4	-	-	8,964	11,294	14,022	16,750
KCG572HAE	50	133.22	59,814	17,515	6,100	10.20	43.3	-	-	-	12,104	15,577	19,779	
							54.4	-	-	-	8,875	12,008	15,756	
							60	43.3	-	-	-	12,104	15,577	19,779

		Mechanical Specification				Electrical Specification																							
10	12.8	Oil Charge(cc)	Cooling Type (CFM)	Net Wt. (Kg.)	LRA (A)	Voltage Range(V)	Motor Type	Fig No.	Start Capacitor (Mfd)	Run Capacitor (Mfd)	Relay		OLP																
										Potential / PTC		Current																	
1,503	1,706	310	Fan 350	11.80	13	180-260	PSC / CSCR*	1/4	40/60	10	LT85002 or HLR3800-4L3C-2		-	KAT0072/K3 or MRA12309-12103															
1,222	1,441										2,016	2,250	17	180-260	PSC / CSCR*	1/4	60/80*	15	LT85003* or HLR3800-4L3C-3		-	KAT0733/B2 or KAT0159/B2							
1,693	1,912																		2,399	2,678	21	207-253							
2,025	2,275	510	Fan 350	13.40	21	180-260	PSC / CSCR*	1/4	80/100*	25	LT85002* or HLR3800-4L3C-2		-	Internal															
3,750	4,265										4,337	4,858	30	198-264	PSC / CSCR*	1/4	80/100*	36	AC85001* or HLR3800-6H3C-1		-	Internal							
3,135	3,618																		4,350	4,947	36	207-253							
3,636	4,196	890	Fan 350	22.50	36	180-260	PSC / CSCR*	1/4	80/100*	36	AC85001		-	Internal															
4,869	5,435										9,640	10,735	72	180-260	PSC / CSCR	1/4	150/200	45	AC85001		-	Internal							
4,337	4,858																		8,116	9,088	11,398	12,735	1,330	Fan 400	34.90	85	198-264	CSCR	4
9,640	10,853	1,330	Fan 400	29.80	54	180-260	PSC / CSCR*	1/4	80/100*	36	AC85004		-	Internal															
11,398	12,735										13,712	15,294	104	198-264	CSCR	4	189/227	60 or 65	AC85005		-	Internal							
9,640	10,853																		11,573	12,912	15,763	17,023	1,330	Fan 400	36.00	110	198-264	CSCR	4
13,331	14,679	18,400	20,363	115	197-253																								
18,400	20,363					15,617	1,728																						
7,354	8,235	1,330	Fan 400	29.50	20	342-462	3 Ph	-	-	-	-		-	Internal															
6,036	6,794										9,464	10,706	28	342-462	3 Ph	-	-	-	-		-	Internal							
7,823	8,941																		11,280	12,559	41	360-460	3 Ph	-	-	-	-		-
9,552	10,647	1,330	Fan 400	31.00	41	360-460	3 Ph	-	-	-	-		-	Internal															
13,478	15,088										13,200	14,735	45	340-460	3 Ph	-	-	-	-		-	Internal							
11,280	12,559																		15,038	16,639	60	342-462	3 Ph	-	-	-	-		-
13,198	14,630	1,330	Fan 400	36.20	60	342-462	3 Ph	-	-	-	-		-	Internal															
18,142	20,076										18,142	20,076	51	361-506	3 Ph	-	-	-	-		-	Internal							
15,994	17,723																		19,718	21,856	61	342-462	3 Ph	-	-	-	-		-
17,469	19,191	1,330	Fan 400	36.20	60	361-506	3 Ph	-	-	-	-		-	Internal															
19,718	21,856										18,492	20,380	61	342-462	3 Ph	-	-	-	-		-	Internal							
17,469	19,191																		16,695	17,393	60	361-506	3 Ph	-	-	-	-		-
21,845	24,129	1,330	Fan 400	36.20	60	361-506	3 Ph	-	-	-	-		-	Internal															
18,712	20,732										19,190	21,126	55	342-462	3 Ph	-	-	-	-		-	Internal							
20,315	22,681																		16,911	18,740	50	361-506	3 Ph	-	-	-	-		-
21,747	22,570	1,330	Fan 400	36.20	55	361-506	3 Ph	-	-	-	-		-	Internal															
20,315	22,681										24,495	27,588	20,158	22,941	2,250	Fan 420	51.40	55	360-460	3 Ph	-	-	-	-	-	-	-	-	-
24,495	27,588																												

Note

Model	Return Gas Temperature (°C)	Subcooled Liquid Temperature (°C)
KCE, KCN, KCJ	35	46.1
CR, KCM, KCG	18.3	46.1
KCM475LAL, 515LAL	32	46.1

* These are optional

Performance Nominals And Specifications

R134a High Temperature

Model	Hz	Displacement (CC/rev)	Performance at ASRE/T Rated Condition				Refrigeration Capacity (Watts) #						
			Capacity		Power	Current	Evap. Temp. / Cond. Temp. (°C)	-17.8	-15	-10	-5	0	5
			Btu/hr	W	W	A							
R134a, 1Phase													
KCE419HAG	50	5.79	1,588	465	245	1.40	43.3	184	219	271	322	457	558
	60						54.4	144	166	213	262	322	415
KCE425HAG	50	7.58	2,145	628	360	2.30	43.3	215	257	317	384	476	608
	60						54.4	169	194	250	306	377	486
KCE432HAG	50	9.42	2,691	788	375	2.75	43.3	259	289	347	417	517	669
	60						54.4	192	229	280	337	419	547
KCE444HAG	50	12.05	3,678	1,077	450	2.00	43.3	294	329	395	474	588	761
	60						54.4	219	260	318	383	476	622
KCJ444HAG	50	12.58	3,702	1,084	450	2.80	43.3	213	287	417	547	675	832
	60						54.4	138	201	315	427	539	676
KCN463HAG	50	15.33	5,252	1,538	615	2.70	43.3	412	480	596	737	931	1,176
	60						54.4	294	373	489	611	771	962
KCJ467HAG	50	18.27	5,604	1,641	675	3.90	43.3	479	558	694	858	1,084	1,368
	60						54.4	342	434	569	711	897	1,120
KCJ498HAG	50	25.91	8,203	2,402	975	5.90	43.3	365	414	523	665	876	1,198
	60						54.4	282	340	444	552	703	939
KCM511CAL	50	40.80	11,275	3,302	1,125	5.30	43.3	414	498	681	910	1,170	1,483
	60						54.4	304	384	511	666	856	1,111
KCM514CAL	50	51.47	15,273	4,472	1,515	7.50	43.3	627	759	1,029	1,347	1,702	2,119
	60						54.4	492	592	811	1,083	1,393	1,765
KCM519CAL	50	59.65	18,655	5,463	1,800	9.75	43.3	1,115	1,185	1,355	1,627	2,049	2,567
	60						54.4	909	978	1,101	1,333	1,688	2,149
KCM522CAL	50	72.08	21,320	6,243	2,030	9.80	43.3	1,267	1,347	1,540	1,849	2,328	2,917
	60						54.4	1,025	1,103	1,251	1,515	1,918	2,442
KCM519CAL	50	59.65	18,655	5,463	1,800	9.75	43.3	864	1,114	1,606	2,209	2,942	3,807
	60						54.4	551	775	1,211	1,734	2,370	3,074
KCM514CAL	50	51.47	15,273	4,472	1,515	7.50	43.3	1,019	1,336	1,981	2,763	3,657	4,737
	60						54.4	608	884	1,437	2,116	2,930	3,800
KCM519CAL	50	59.65	18,655	5,463	1,800	9.75	43.3	1,172	1,571	2,358	3,299	4,409	5,771
	60						54.4	699	1,029	1,706	2,544	3,432	4,335
KCM522CAL	50	72.08	21,320	6,243	2,030	9.80	43.3	1,442	1,876	2,739	3,788	5,041	6,530
	60						54.4	939	1,310	2,058	2,985	4,090	5,406
R134a, 3 Phase													
KCM519CAL	50	59.65	18,655	5,463	1,800	9.75	43.3	1,172	1,571	2,358	3,299	4,409	5,771
	60						54.4	699	1,029	1,706	2,544	3,432	4,335
KCM522CAL	50	72.08	21,320	6,243	2,030	9.80	43.3	1,442	1,876	2,739	3,788	5,041	6,530
	60						54.4	939	1,310	2,058	2,985	4,090	5,406

		Mechanical Specification				Electrical Specification									
10	12.8	Oil Charge(cc)	Cooling Type (CFM)	Net Wt. (Kg.)	LRA (A)	Voltage Range(V)	Motor Type	Fig No.	Start Capacitor (Mfd)	Run Capacitor (Mfd)	Relay		OLP		
											Potential / PTC	Current			
677	800	310	Fan 350	10.20	12	180-260	RSIR	3	-	-	-	KARP3627	TAE19/H3		
557	662														
792	936														
652	774														
891	1,059	310	Fan 350	10.80	13	180-260	CSIR	6	40/60	-	-	KARP4241	KAT0072/H3 or MRA12309-12101		
741	891														
1,013	1,204														
843	1,014														
1,157	1,388	310	Fan 350	11.80	12.5	180-260	CSIR	6	40/60	-	-	KARP4241/ MTRP4241	KAT0072/H3 or MRA12309-12101		
984	1,188														
1,388	1,664														
1,180	1,424														
1,573	1,876	310	Fan 350	11.80	13	180-260	CSCR	4	40/60	10	LT85002 OR HLR3800-4I3C-2	-	KAT0072/H3		
1,283	1,535														
1,830	2,183														
1,493	1,786														
1,658	2,018	890	Fan 350	20.20	17	180-260	CSIR	6	80/100	-	-	KARP4841/ MTRP4841	KAT0159/B2		
1,286	1,568														
2,027	2,312														
1,749	1,974														
2,392	2,728	380	Fan 350	11.50	14	180-260	CSCR	4	80/100	15	LT85002 or HLR3800-4L3C-2	-	KAT0463/B2 / MRA12308-12102		
2,064	2,329														
2,206	2,494														
1,878	2,147														
2,626	2,968	890	Fan 350	21.00	23	180-260	CSIR	6	80/100	-	-	KARP-5641/ MTRP-5641 MTRP5941	KAT0733/B2		
2,247	2,569														
3,182	3,596														
2,708	3,108														
3,616	4,086	890	Fan 350	21.50	32	180-260	CSIR	5	80/100	-	AC85001 or HLR3800-6H3C-1	-	KAT0163 / B2 KAT0167/B2		
3,077	3,518														
4,831	5,570														
4,033	4,703														
6,059	7,044	1,330	Fan 400	29.50	54	180-260	CSCR	4	80/100	36	AC85004	-	Internal		
5,055	5,890														
7,450	8,541														
6,199	7,204														
8,292	9,600	1,330	Fan 400	34.90	85	180-260	CSCR	4	130/156	40	AC85004 / 3ARR3 CT3P5 / RVA-3F6D	-	Internal		
6,994	8,148														
8,292	9,600														
6,994	8,148														
7,450	8,541	1,330	Fan 400	31.00	41	342-460	3Ph	-	-	-	-	-	Internal		
6,199	7,204														
8,292	9,600														
6,994	8,148														
8,292	9,600	1,330	Fan 400	37.00	45	342-460	3Ph	-	-	-	-	-	Internal		
6,994	8,148														

Permitted Evaporating Temperature Range in °C

Model	Refrigerant	High Temperature	Medium Temperature	Low Temperature
KCJ, KCE, KCN, KCM	R134a	-17.8 to 12.8*	-17.8 to 12.9	-28.8 to -6.7**
KCG, CR, KCJ, KCE	R22	-6.7 to 12.8	N.A.	N.A.
KCN, KCJ, KCM	R404A	N.A.	-17.8 to 10.0	-40.0 to -6.7

* Except KCN463HAG / KCJ498HAG : -6.7 °C to 12.8 °C

** Except KCN : -37 °C to -6.7 °C

Note : Condensing temperature range for all models except CR = 37.8°C to 60°C and for CR please refer individual model specification.

Performance Nominals And Specifications

R134a R404A Medium Temperature

Model	Hz	Displacement (CC/rev)	Performance at ASRE/T Rated Condition				Refrigeration Capacity (Watts) #						
			Capacity		Power	Current	Evap. Temp. / Cond. Temp. (°C)	-17.8	-15	-10	-5	0	5
			Btu/hr	W	W	A							
R134a, 1Phase													
KCN413CAG	50	6.15	1,079	316	180	0.80	43.3	268	301	355	424	518	613
	60		1,240	363	205	0.80	54.4	235	243	289	355	446	538
KCN416CAG	50	7.31	1,342	393	220	1.00	43.3	307	346	408	486	594	704
	60		1,540	451	250	1.10	54.4	270	279	331	407	512	618
R404A, 1Phase													
KCJ422CAL	50	8.00	1,800	527	400	2.40	43.3	405	472	603	754	922	1,108
KCJ438CAL	50	11.50	3,203	938	625	3.70	43.3	290	346	451	582	736	899
							54.4	639	745	952	1,189	1,455	1,749
KCJ461CAL	50	18.27	5,102	1,494	925	4.10	43.3	1,147	1,338	1,709	2,134	2,612	3,139
							54.4	824	979	1,279	1,649	2,085	2,545
KCJ484CAL	50	25.91	7,004	2,051	1,250	6.20	43.3	1,571	1,833	2,341	2,924	3,579	4,287
							54.4	1,128	1,341	1,752	2,259	2,856	3,487
KCM511CAL	50	40.80	8,975	2,628	1,385	6.30	43.3	-	2,022	2,812	3,788	4,945	6,284
							54.4	-	-	2,063	2,870	3,826	4,966
KCM514CAL	50	51.47	11,947	3,498	1,840	8.70	43.3	-	2,666	3,675	4,927	6,389	8,079
							54.4	-	-	2,772	3,834	5,054	6,493
KCM519CAL	50	59.65	16,025	4,692	2,360	12.30	43.3	-	3,780	4,998	6,480	8,204	10,203
							54.4	-	-	3,806	5,039	6,485	8,194
KCM522CAL	50	72.08	18,205	5,331	2,600	12.00	43.3	-	4,600	5,900	7,490	9,393	11,770
							54.4	-	-	4,331	5,756	7,471	9,608
R404A, 3 Phase													
KCM511CAL	50	40.80	9,484	2,777	1,380	2.40	43.3	-	1,904	3,219	4,217	5,347	6,438
							54.4	-	-	2,171	3,069	3,988	5,153
KCM514CAL	50	51.47	13,051	3,822	1,865	3.50	43.3	-	2,824	4,685	6,087	7,524	9,028
							54.4	-	-	3,088	4,315	5,754	7,144
KCM519CAL	50	59.65	15,776	4,620	2,325	4.70	43.3	-	3,692	4,922	6,368	8,107	10,113
							54.4	-	-	3,729	4,950	6,381	8,104
KCM522CAL	50	72.08	18,275	5,352	2,600	5.20	43.3	-	4,600	5,900	7,490	9,393	11,770
							54.4	-	-	4,330	5,756	7,471	9,500

		Mechanical Specification				Electrical Specification								
10	12.8	Oil Charge(cc)	Cooling Type (CFM)	Net Wt. (Kg.)	LRA (A)	Voltage Range(V)	Motor Type	Fig No.	Start Capacitor (Mfd)	Run Capacitor (Mfd)	Relay		OLP	
										Potential / PTC		Current		
R134a, 1Phase														
759	-	340	Fan 350	9.70	8	180-260	CSCR	4	40/60	6	PTC-8EA19D7	-	KAT0411/ H3	
656	-													
871	-													
754	-													
914	-	340	Fan 350	9.70	10	180-260	CSCR	4	40/60	6	PTC-8EA19D7	-	KAT0413 / H3 or MRA 12390-12101	
794	-													
1,051	-													
912	-													
R404A, 1Phase														
1,385	-	890	Fan 350	20.00	16	180-260	CSIR	6	80/100	-	-	KARP4741	KAT0463 / B2	
1,146	-													
2,185	-	890	Fan 350	21.50	24	180-260	CSIR	6	80/100	-	-	KARP5641 / MTRP5641	T0732/B9	
1,808	-													
3,922	-	890	Fan 350	21.50	25	180-260	CSCR	4	80/100	25	LT85002 or HLR3800-4I3C-2	-	Internal	
3,246	-													
5,373	-	890	Fan 350	22.50	37	180-260	CSCR	4	80/100	25	AC85001 OR HLR3800-6H3C-1	-	Internal	
4,448	-													
7,823	8,647	1,330	Fan 400	29.80	54	180-260	CSCR	4	80/100	36	AC85004	-	Internal	
6,241	6,912													
10,064	10,971	1,330	Fan 400	32.50	72	180-260	CSCR	4	150/200	45	AC85001 or HLR3800-6H3C-1	-	Internal	
8,204	8,971													
12,511	13,588	1,330	Fan 400	34.90	85	180-260	CSCR	4	120/150	45	AC85004 or 3ARR3CT3P5 or RVA-3F6	-	Internal	
10,174	11,076													
14,562	15,792	1,330	Fan 400	34.90	104	180-260	CSCR	4	120/150	60	AC85005 or 3ARR3CT24S5 or RVA-3AG 6D	-	Internal	
11,822	12,774													
R404A, 3 Phase														
7,471	7,684	1,330	Fan 400	29.50	20	342-462	3Ph	-	-	-	-	-	Internal	
6,206	6,630													
10,943	11,903	1,330	Fan 400	30.00	28	342-462	3Ph	-	-	-	-	-	Internal	
9,082	9,963													
12,432	13,449	1,330	Fan 400	31.00	41	342-460	3Ph	-	-	-	-	-	Internal	
10,086	10,943													
14,561	15,792	1,330	Fan 400	32.70	45	342-460	3Ph	-	-	-	-	-	Internal	
11,822	12,774													

Notes

- Electrical rating is 230 V, 50 Hz and 230 V, 60 Hz for single phase models and, 400 V, 50 Hz for three phase models.
- Operating voltage range signifies the range of voltage for which the compressor can start and run up to 43°C ambient.
- Cooling capacity and power consumption are nominal values at specified rating conditions and subject to ±5% variation.
- Direct air flow on glass terminal cover should be avoided.
- Compressors with CSIR, CSCR circuit and three phase models may be used with thermostatic expansion valve.
- Compressors with RSIR Circuit must use capillary tube only.
- All compressors use two pole motors.
- Compressors for specific applications are rated for IS-10617 Part I and Part III-1983.
- All run capacitor should have a rating of 440 VAC and start capacitor 275 VAC surge, unless otherwise specified by Emerson Climate Technologies (India) Limited.

Performance Nominals And Specifications

R134a R404A Low Temperature

Model	Hz	Displacement (CC/rev)	Performance at ASRE/T Rated Condition				Refrigeration Capacity (Watts) #						
			Capacity		Power	Current	Evap. Temp. / Cond. Temp. (°C)	-37.2	-35	-30	-25	-20	-15
			Btu/hr	W	W	A							
R134a, 1 Phase													
KCN372LAG	50	7.31	601	176	159	1.34	43.3	80	94	130	181	246	321
							54.4	76	86	115	162	223	294
KCN396LAG	50	9.00	803	235	205	1.85	43.3	-	115	174	247	323	403
							54.4	-	107	157	215	276	343
KCN411LAG	50	11.10	963	282	245	2.10	43.3	-	135	207	297	396	515
							54.4	-	106	177	255	348	467
KCJ412LAG	50	16.35	1,028	301	280	2.75	43.3	-	-	-	358	500	683
							54.4	-	-	-	260	405	583
KCN415LAG	50	15.33	1,267	371	325	1.80	43.3	-	150	259	373	509	677
							54.4	-	112	210	328	466	625
KCJ423LAG	50	32.61	1,933	566	485	3.00	43.3	-	-	-	661	943	1,267
							54.4	-	-	-	486	740	1,016
R404A, 1 Phase													
KCN414LAL	50	7.31	1,150	337	325	2.30	43.3	166	198	263	354	458	578
							54.4	137	159	222	307	399	506
KCN418LAL	50	9.00	1,455	426	385	2.00	43.3	205	257	354	470	607	759
							54.4	178	203	276	385	504	637
KCN422LAL	50	11.10	1,834	537	455	2.20	43.3	256	321	443	588	759	949
							54.4	225	255	348	486	635	802
KCN430LAL	50	15.33	2,575	754	580	4.40	43.3	364	454	626	831	1,074	1,342
							54.4	317	359	489	682	892	1,127
KCJ430LAL	50	16.35	2,435	713	580	3.20	43.3	304	389	550	747	977	1,232
							54.4	222	293	460	647	865	1,125
KCJ450LAL	50	32.64	4,118	1,206	1,000	5.50	43.3	416	591	934	13,25	1,771	2,235
							54.4	273	438	727	1,079	1,512	1,992
KCM475LAL	50	51.47	5,703	1,670	1,250	6.80	43.3	876	1,068	1,490	1,880	2,514	3,298
							54.4	-	-	1,114	1,529	2,205	2,974
R404A, 3 Phase													
KCM515LAL	50	89.68	12,506	3,662	2,460	5.10	43.3	1,933	2,344	3,238	4,057	5,044	6,242
							54.4	-	-	2,611	3,395	4,267	5,307

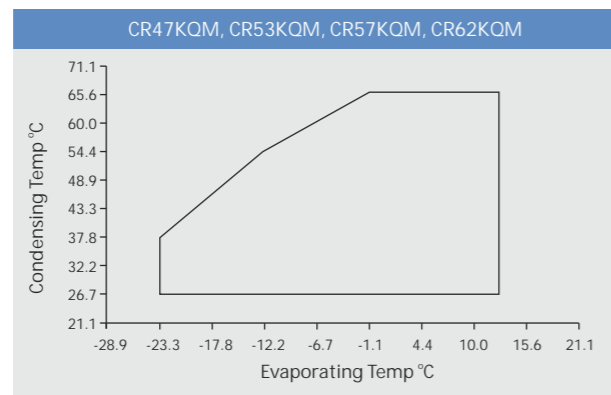
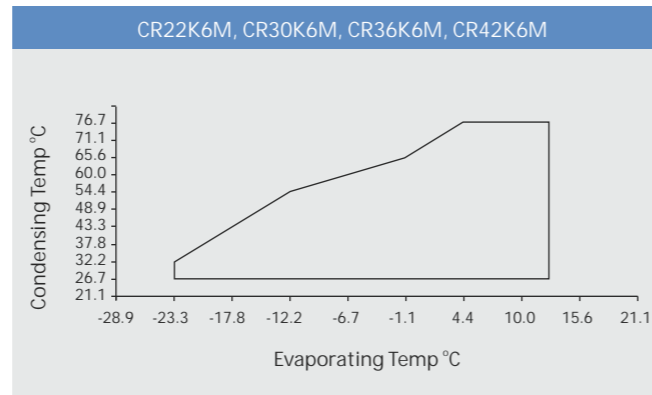
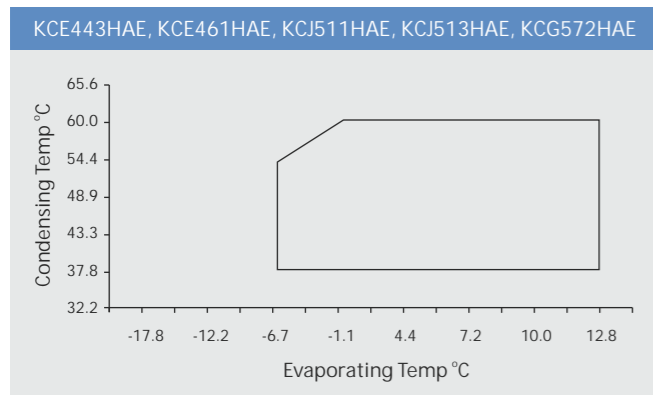
		Mechanical Specification				Electrical Specification									
-10	-6.7	Oil Charge(cc)	Cooling Type (CFM)	Net Wt. (Kg.)	LRA (A)	Voltage Range(V)	Motor Type	Fig No.	Start Capacitor (Mfd)	Run Capacitor (Mfd)	Relay		OLP		
											Potential / PTC	Current			
404	462	340	Oil / Fan 260	10.20	10	180-260	CSIR	6	40/60	-	-	KARP-3141/ MTRP-3141 KARP3227	TAE15/H3		
377	438													RSIR	3
488	547	340	Oil / Fan 260	10.20	10	180-260	CSIR	6	40/60	-	-	KARP 4141/ MTRP 4141	TAE5M/H3		
418	471														
653	750	380	Fan 350	11.50	10	180-160	CSIR	6	40/60	-	-	KARP4241/ MTRP4241	KAT0072/H3 OR MRA12309-12101		
604	699														
907	1068	890	Fan 350	21.00	24	180-260	CSIR	6	80/100	-	-	MTRP 4841/ KARP4841	KAT0159/B2		
802	968														
867	1,000	380	Fan 350	11.50	14	180-260	CSCR	4	80/100	10	-	KARP-4941	KAT0072/H3 or MRA-12309-12101		
805	932														
1,683	2,000	890	Fan 350	22.50	30	198-264	CSCR	4	150/200	10	LT85003	-	T0732/B2 or KAT0732/B2		
1,390	1,712														
727	838	340	Fan 350	10.20	16	180-260	CSIR	6	60/80	-	-	KARP- 4241	KAT0072/ H3 or MRA2309-12101		
640	738														
934	1,065	380	Fan 350	11.50	14	180-260	CSCR	4	80/100	10	LT85002 or HLR3800-413C-2	-	KAT0072/B2 or MRA12309-12102 or T072/B2		
806	938														
1,168	1,331	380	Fan 350	11.50	17	180-260	CSCR	4	80/100	15	LT85003 or HLR3800-4L3C-3	-	KAT0164/ B2 OR T0164/K9		
1,015	1,182														
1,652	1,883	420	Fan 350	12.50	18	180-260	CSCR	4	80/100	15	LT85003 or HLR3800-4L3C-3	-	KAT0733/ B2		
1,426	1,660														
1,474	1,612	890	Fan 350	22.50	30	180-260	CSCR	4	150/200	10	LT85003 or HLR3800-4L3C-3	-	Internal		
1,381	1,524														
2,698	3,003	890	Fan 350	25.00	50	180-260	CSCR	4	150/200	25	AC85005	-	Internal		
2,476	2,788														
4,236	4,966	1,300	Fan 350	32.50	72	198-264	CSCR	4	150/200	25	AC 85004	-	Internal		
3,785	4,386														
7,650	8,666	1,300	Fan 350	32.70	45	342-460	3 Ph	-	-	-	-	-	Internal		
6,616	7,618														

ASRE/T Rating Conditions

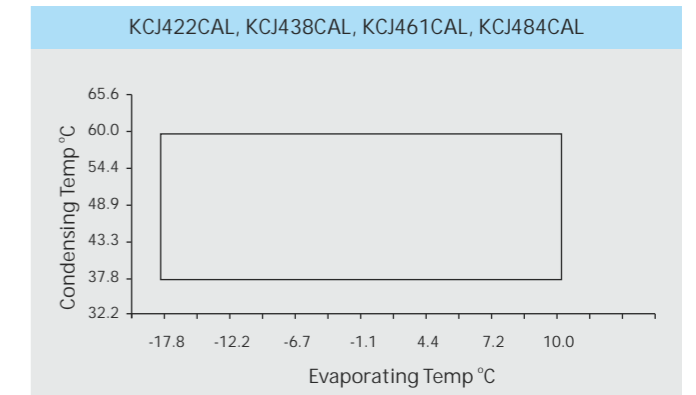
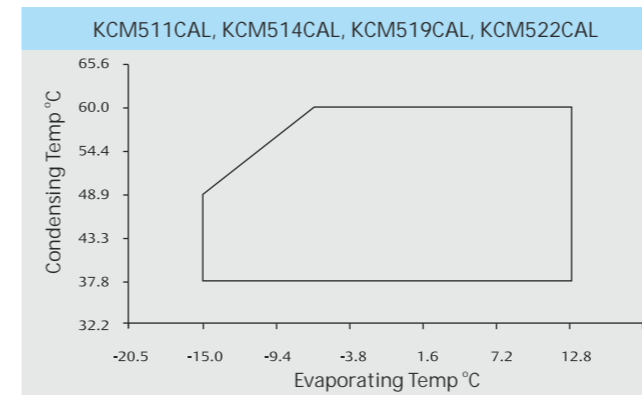
Ambient Temperature	Evaporating Temperature	Condensing Temperature	Sub Cooled Liquid Temp	Suction Gas Temperature	Suction Pressure			Discharge Pressure		
					R134a	R22	R404A	R134a	R22	R404A
°C	°C	°C	°C	°C	psig	psig	psig	psig	psig	psig
High Temperature										
35	7.2	54.4	46.1	35	40	77	93.7	196	300	354
Medium Temperature										
35	-6.7	54.4	46.1	35	18	----	55.6	196	----	354
Low Temperature										
32	-23.3	54.4	32	32	1.9	----	24.6	196	----	354

Operating Envelopes

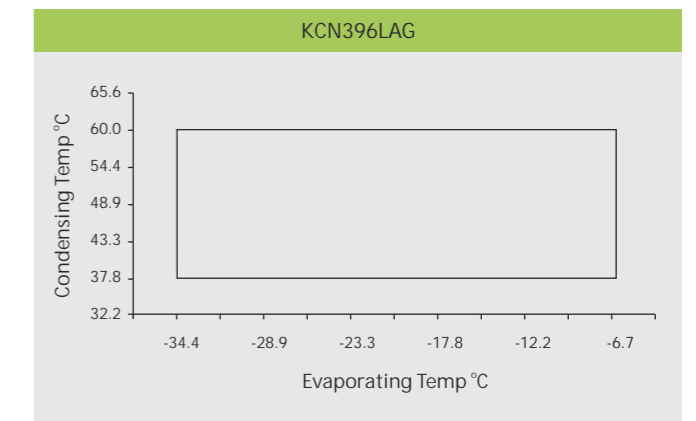
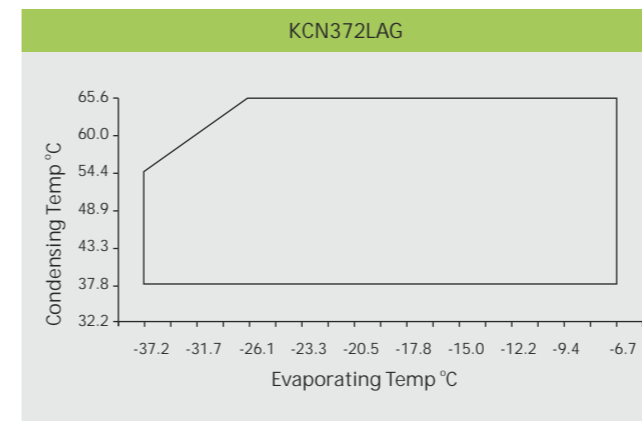
High Temperature (R22)



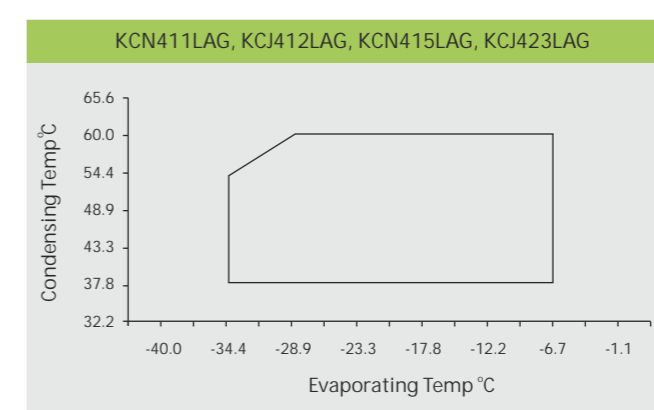
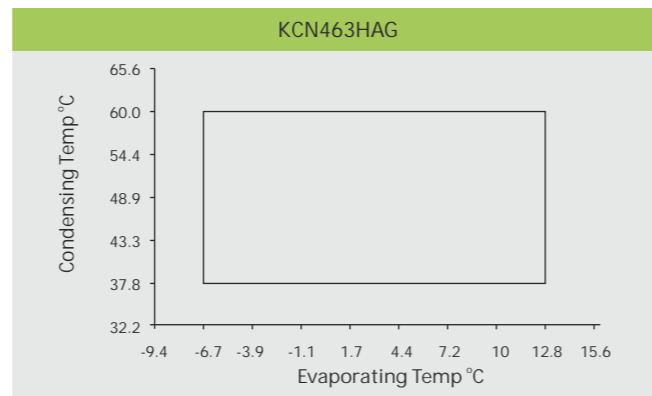
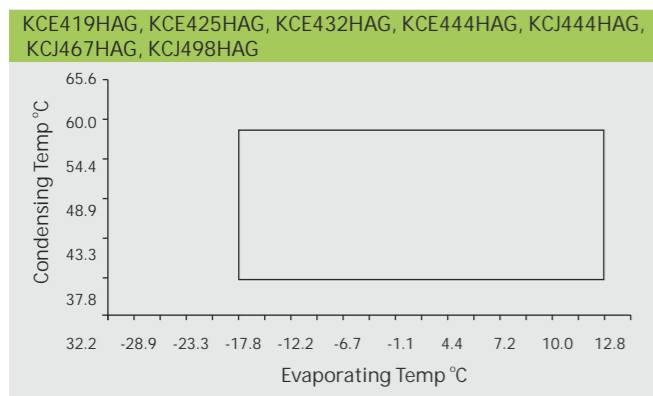
Medium Temperature (R404A)



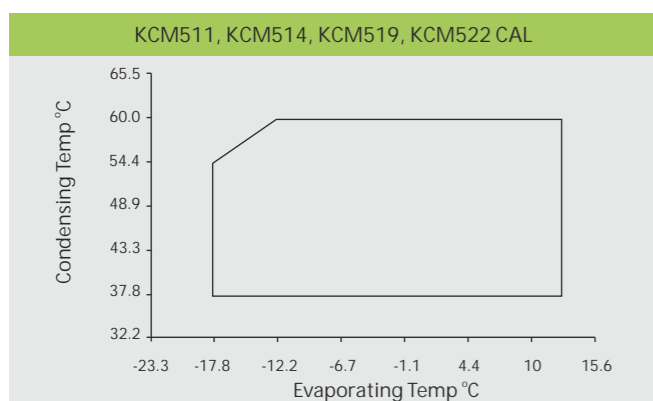
Low Temperature (R134a)



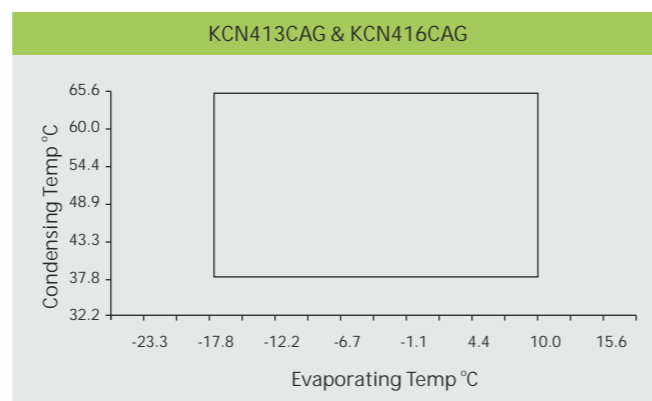
High Temperature (R134a)



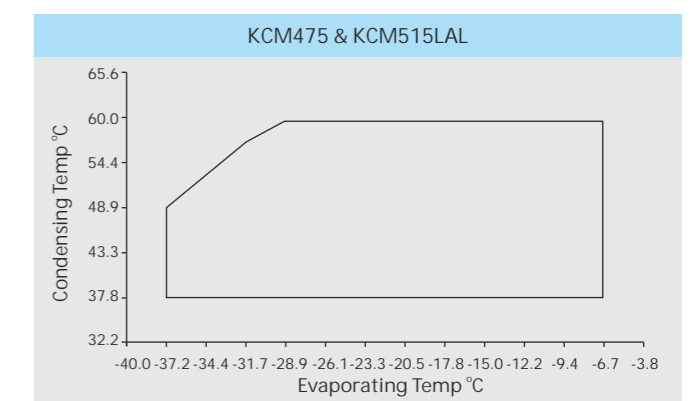
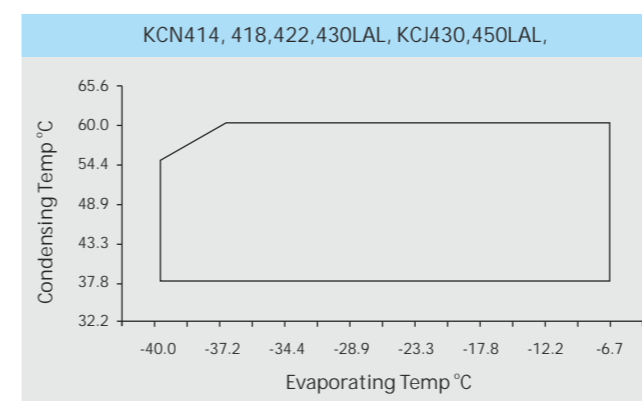
High Temperature (R134a)



Medium Temperature (R134a)



Low Temperature (R404A)



Standard BoM Data

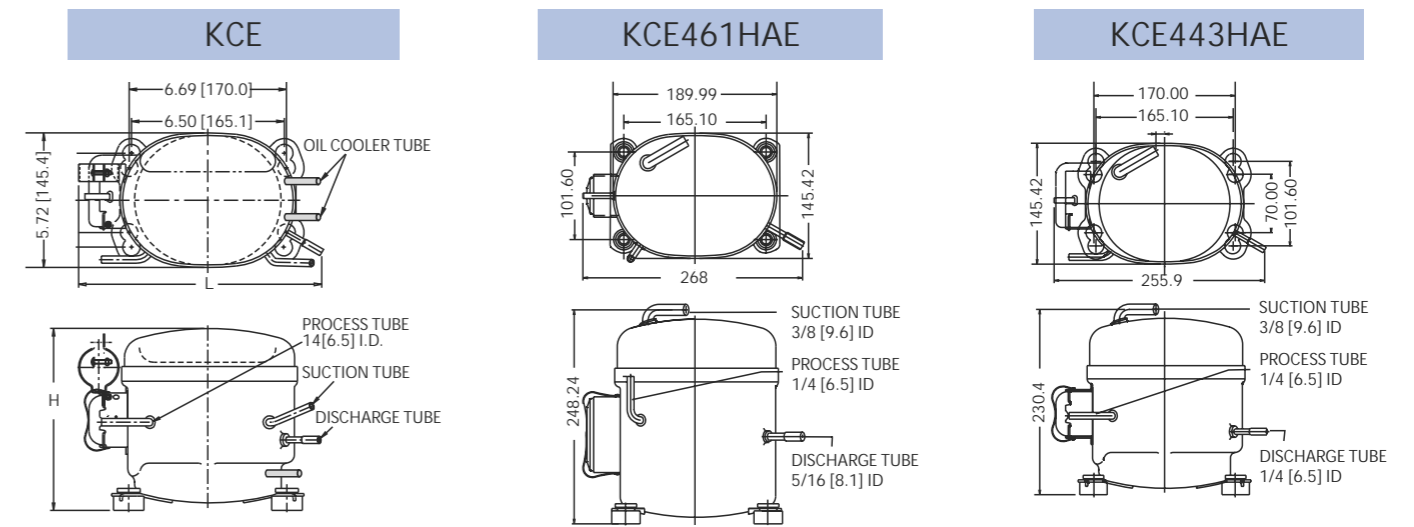
Model	Standard*		Circuit	Suction	Mounting Option	
	Domestic	Export				
KCE419HAG	V130H	V131H	RSIR	Tube	"Dual Mounting 4.00 x 6.50 & 2.75 x 6.69"	
KCE425HAG	V230H	V231H	CSIR	Tube		
KCE432HAG	S230H	S231H	CSIR	Tube		
KCE443HAE	B330H	B331H, V331H	CSCR	Tube		
KCE444HAG	B332H, S330H	V331H, S331H	CSCR	Tube		
	-	F231H, P231H	CSIR	Tube		
	S430H	-	PSC	Tube		
KCE461HAE	V470H	-	PSC	Tube		
KCE461HAE	-	V371H	CSCR	Tube		
KCN372LAG	B130H	B131H	RSIR	Tube		"Dual Mounting 4.00 x 6.50 & 2.75 x 6.69"
KCN396LAG	B230H	B231H	CSIR	Tube		
KCN411LAG	B230H	B231H	CSIR	Tube		
KCN413CAG	C230H	-	CSIR	Tube		
	V830H	V831H	CSCR	Tube		
KCN414LAL	B230H	B231H	CSIR	Tube		
KCN415LAG	B332H	B331H	CSCR	Tube		
KCN416CAG	V830H	V831H	CSCR	Tube		
KCN418LAL	B330H	B331H	CSCR	Tube		
KCN422LAL	B330H	B331H	CSCR	Tube		
KCN430LAL	B330H	B331H	CSCR	Tube		
KCN463HAG	U330H, U332H	U331H	CSCR	Tube		
KCJ412LAG	B220H	B221H	CSIR	Tube	4.80 x 8.00	
KCJ422CAL	B220H	B221H	CSIR	Tube		
	B222H	B223H	CSIR	Spud		
KCJ423LAG	C320H	C321H	CSCR	Tube		
KCJ430LAL	B320H	B321H	CSCR	Tube		
	B322H	B323H	CSCR	Spud		
KCJ438CAL	B220H	B221H	CSIR	Tube		
KCJ438CAL	B222H	B223H	CSIR	Tube		
KCJ444HAG	B220H	B221H	CSIR	Tube		
KCJ450LAL	B320H	B321H	CSCR	Tube		
	B322H	B323H	CSCR	Spud		
KCJ461CAL	B320H	B321H	CSCR	Tube		
	B322H	B323H	CSCR	Spud		
KCJ467HAG	T220H	T221H	CSIR	Tube		
	-	T222H	CSIR	Spud		
KCJ484CAL	B320H	B321H	CSCR	Tube		
	B322H	B323H	CSCR	Spud		
KCJ498HAG	S220H	S221H	CSIR	Tube		
	-	S222H	CSIR	Spud		
KCJ511HAE	-	U420H	PSC	Tube		
	-	U321H	CSCR	Tube		
	-	U322H	CSCR	Spud		
	S420H	-	PSC	Tube		
KCJ513HAE	-	S321H, S323H	CSCR	Tube		
	-	S322H	CSCR	Spud		
KCM475LAL	C310H	C311H	CSCR	Tube	"Square Mount 7.50 x 7.50"	
KCM475LAL	C313H	C312H	CSCR	Spud		
KCM511CAL	B310H	B311H	CSCR	Tube		
	B313H	B312H	CSCR	Spud		
	E510H	E511H	Three Phase	Tube		
	E513H	E512H	Three Phase	Spud		
KCM514CAL	B310H	B311H	CSCR	Tube		
	B314H	B312H	CSCR	Spud		
	E510H	E511H	Three Phase	Tube		
	E512H	E513H	Three Phase	Spud		
KCM515LAL	E510H	E511H	Three Phase	Tube		
	E513H	E512H	Three Phase	Spud		
	B310H	B311H	CSCR	Tube		
KCM519CAL	B313H	B312H	CSCR	Spud		
	E510H	E511H	Three Phase	Tube		
	E513H	E512H	Three Phase	Spud		
KCM522CAL	B310H	B311H	CSCR	Tube		
	B314H	B312H	CSCR	Spud		
	E510H	E511H	Three Phase	Tube		
	E514H	E512H	Three Phase	Spud		

* Contact Emerson Climate Technologies Representative for non standard BoM.

Standard BoM Data For CR Compressor

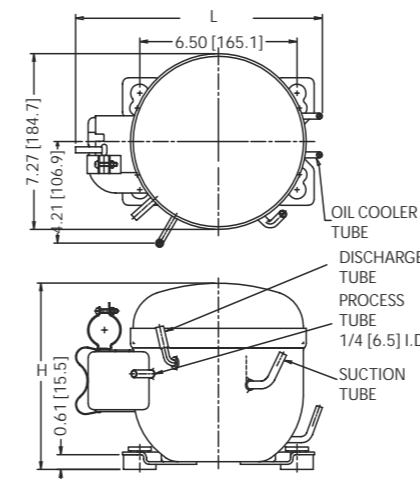
Model	Ordering BoM	Scope
CR22K6M-PF1	131	Standard 4 Leg Mounting, Suction & Discharge Tube, Mounting kit
CR30K6M-PF1	134	
CR22K6M-TFM	131	
CR30K6M-TFM		
CR36K6-PFZ	121	
CR42K6-PFZ	101	
CR36K6-TF6	111	Standard 4 Leg Mounting, Suction & Discharge Spud, Crank Case Heater, Mounting kit
CR42K6-TF5	233DM	
CRXXKQM-TFD (47,53,57,62)		

Dimensional Drawings



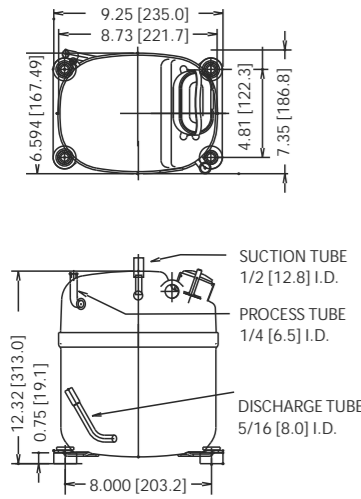
Model	Suction ID		Discharge ID		L	H	Capacitor Mounting
	Inch	mm	Inch	mm			
KCE419HAG	1/4	6.5	1/4	6.5	253	196	NO
KCE425HAG	1/4	6.5	1/4	6.5	257	196	YES
KCE432HAG	5/16	8.0	1/4	6.5	257	212	YES
KCE444HAG	5/16	8.0	1/4	6.5	253	212	NO

KCN									
Model	Suction ID		Discharge ID		L	H	Oil Cooler Tube		Capacitor Mounting
	Inch	mm	Inch	mm			Inch	mm	
KCN372LAG	1/4	6.5	1/4	6.5	259	189	3/16	4.9	NO
KCN396LAG	1/4	6.5	1/4	6.5	259	196	3/16	4.9	YES
KCN411LAG	5/16	8.0	5/16	8.0	250	202	-	-	YES
KCN415LAG	5/16	8.0	5/16	8.0	250	202	-	-	YES
KCN463HAG	5/16	8.0	5/16	8.0	244	202	-	-	YES
KCN413CAG	1/4	6.5	1/4	6.5	244	189	-	-	YES
KCN416CAG	1/4	6.5	1/4	6.5	244	189	-	-	YES
KCN414LAL	5/16+	8.0	5/16	7.93	251	202	-	-	YES
KCN418LAL	5/16+	8.0	5/16	7.93	251	202	-	-	YES
KCN422LAL	5/16+	8.0	5/16	7.93	251	202	-	-	YES
KCN430LAL	5/16+	8.0	5/16	7.93	251	202	-	-	YES

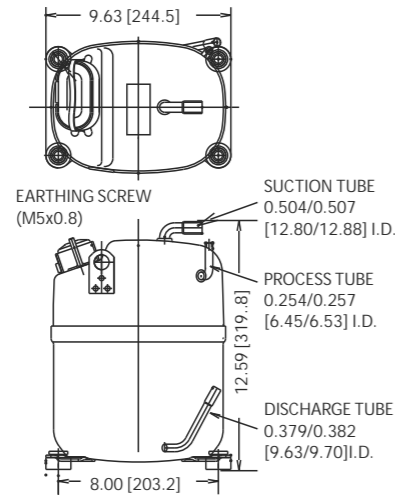


Dimensional Drawings

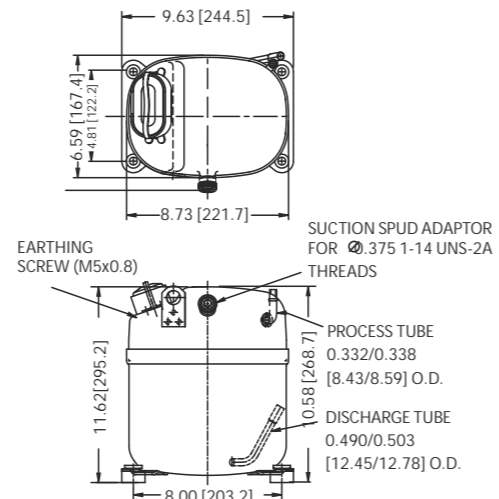
KCJ430LAL



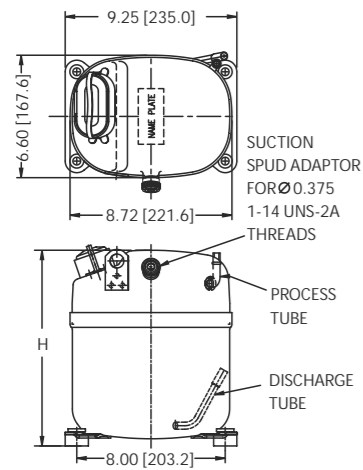
KCJ450LAL with Suction Tube



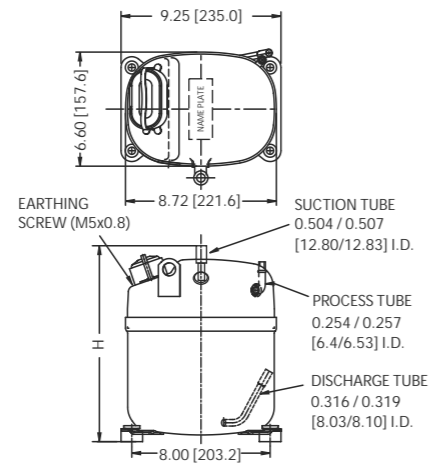
KCJ450LAL with Suction Spud



KCJ***CAL with Suction Spud



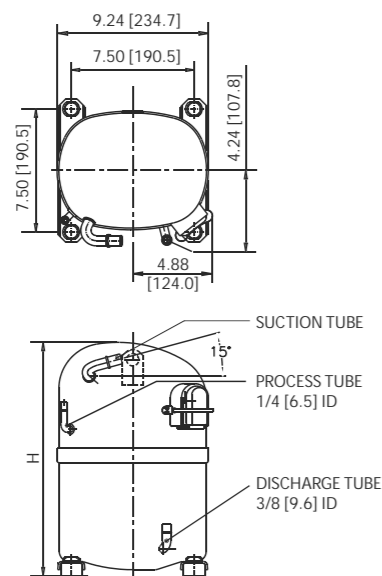
KCJ***CAL with Suction Tube



Model	With Suction Spud	With Suction Tube
	Height, (H) (mm)	
KCJ422CAL	267.9	290
KCJ438CAL	274.9	290
KCJ461CAL	286	308
KCJ484CAL	317.2	295.2

CR22K6M / CR30K6M

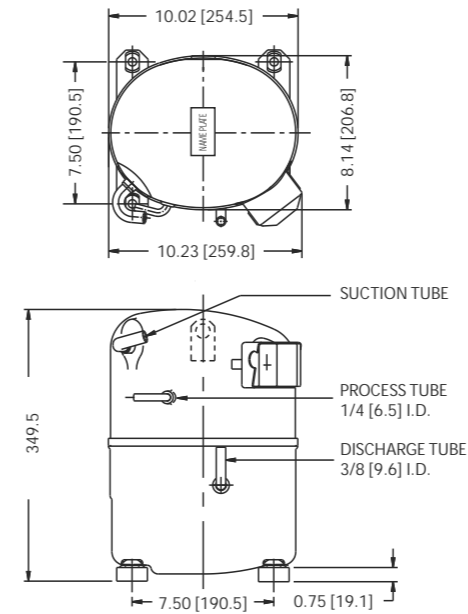
SQUARE MOUNT



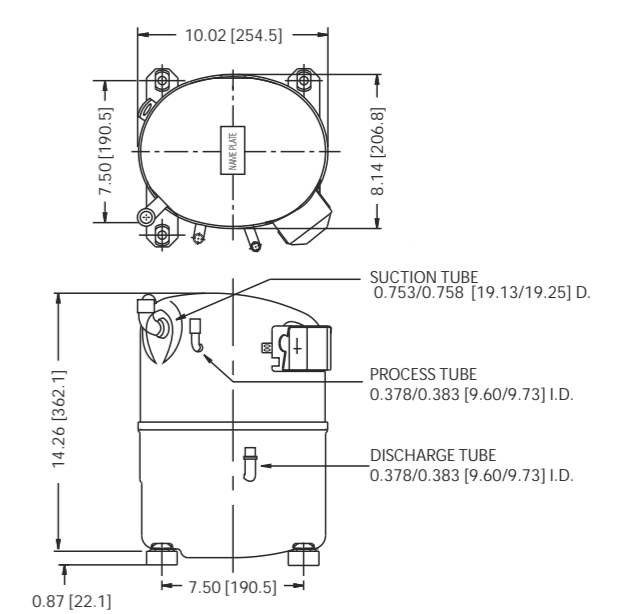
Model	Suction Tube		Height, (H)	
	inch	mm	inch	mm
CR22K6M	1/2	12.8	14.2	361
CR30K6M	5/8	15.9	14.9	381

Dimensional Drawings

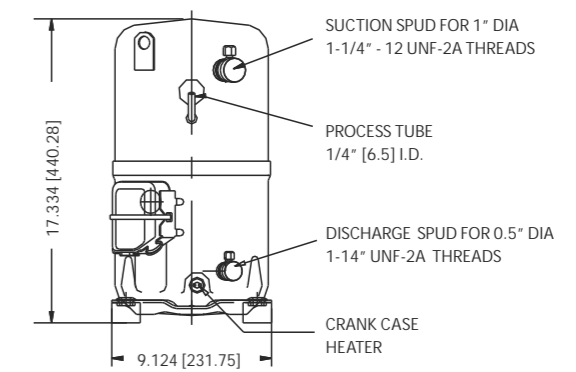
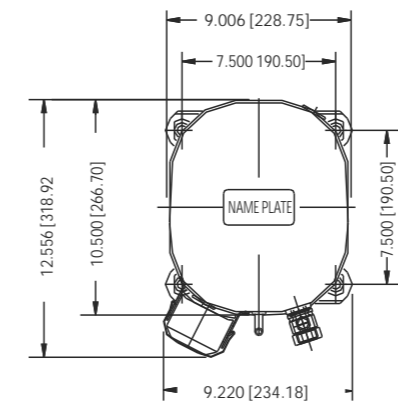
CR36K6



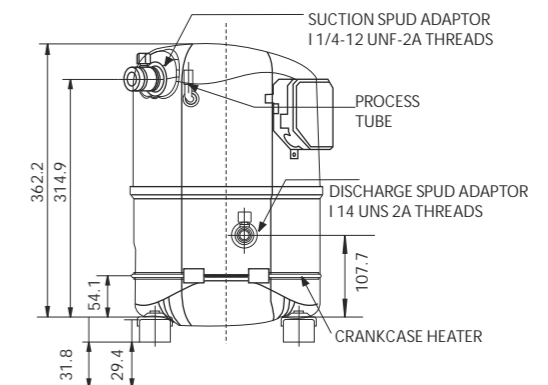
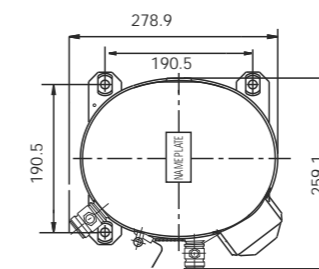
CR42K6



KCG572HAE

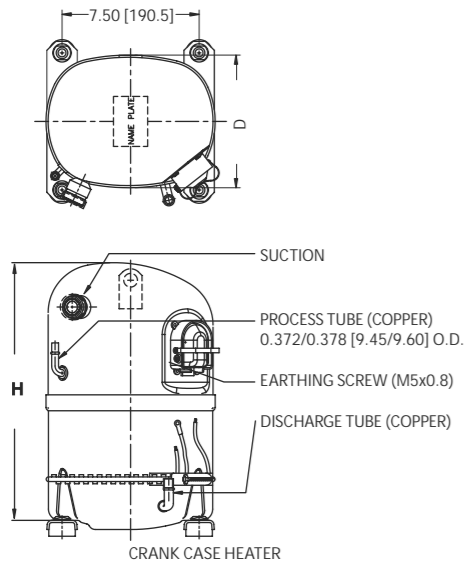


CR47, 53, 57, 62 KQM

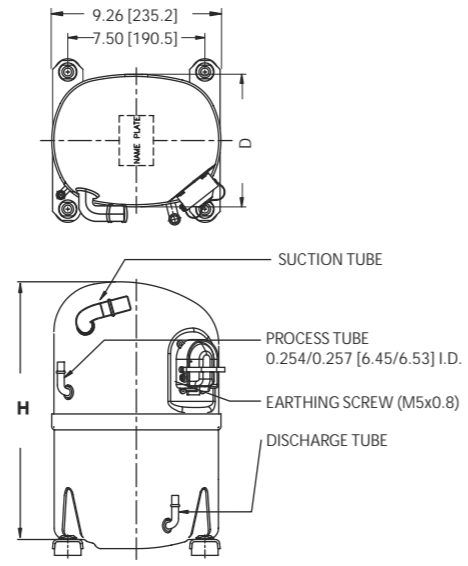


Dimensional Drawings

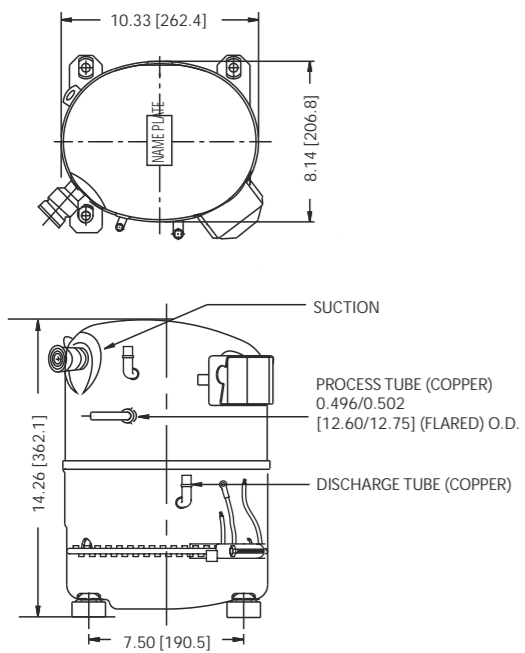
KCM475 LAL/511CAL/514CAL with Spud



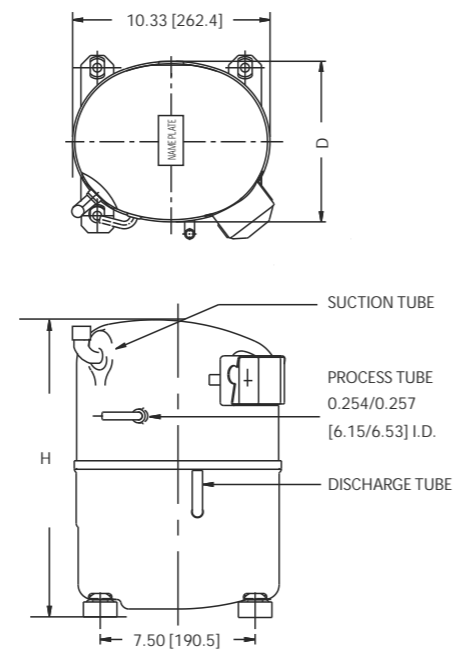
KCM475 LAL/511CAL/514CAL with Suction Tube



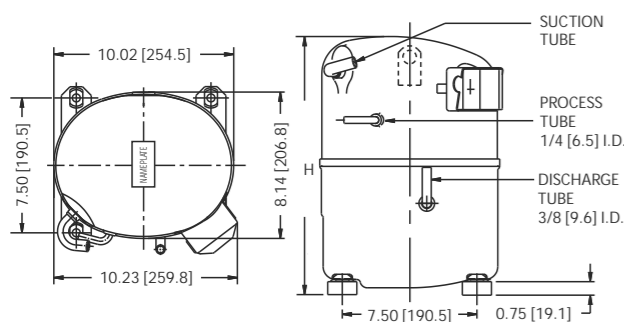
KCM515LAL/519CAL/522CAL with Spud



KCM515LAL/522CAL with Suction Tube



KCM519CAL



Model	Suction Spud	Suction Tube	Discharge Tube	Height, H (mm)	Depth, D (mm)
KCM475LAL	Ø0.625 11/4-12UNF	7/8"	3/8"	358	190.5
KCM511CAL	1.1/412UNF-2A Threads	5/8"	3/8"	361	184.4
KCM514CAL	1.1/412UNF-2A Threads	7/8"	3/8"	367	184.4
KCM515LAL	Ø0.625 11/4-12UNF-2A Rolled Threads	7/8"	3/8"	380	211.4
KCM519CAL	Ø0.625 11/4-12UNF Rolled Threads	7/8"	3/8"	371.5	206.8
KCM522CAL	Ø0.625 11/4-12UNF Rolled Threads	7/8"	3/8"	384.2	206.8

Wiring Diagrams

PERMANENT SPLIT CAPACITOR (PSC)

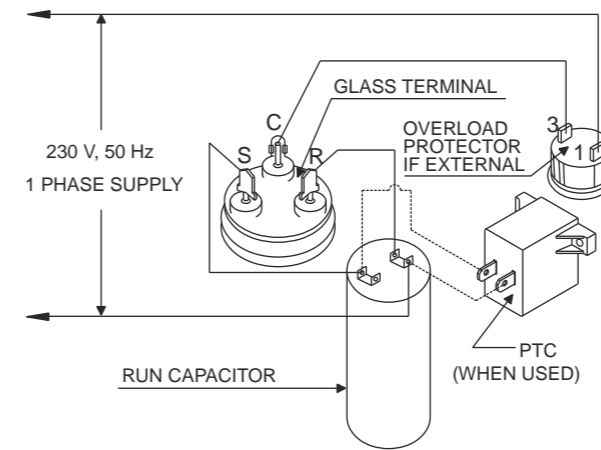


Fig. 1

CAPACITOR START INDUCTION RUN (CSIR) WITH PLUG-IN START RELAY

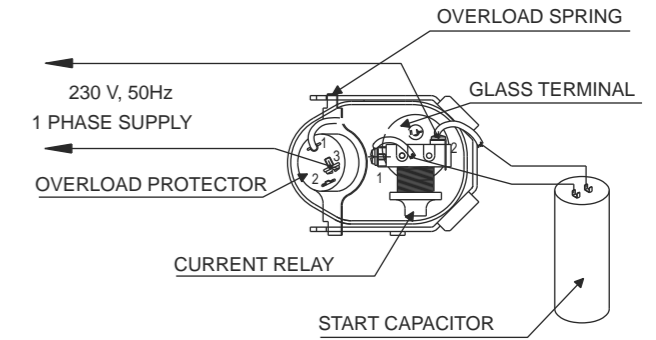


Fig. 2

RESISTANCE START INDUCTION RUN (RSIR) WITH PLUG-IN START RELAY

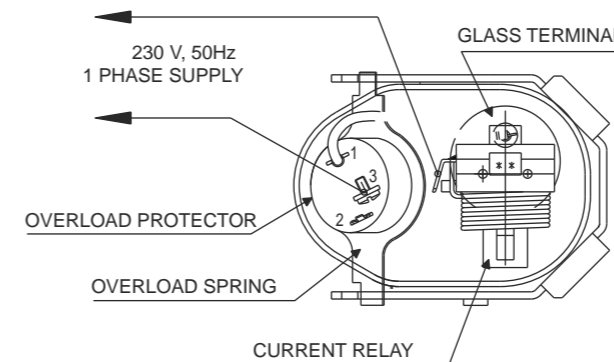


Fig. 3

CAPACITOR START CAPACITOR RUN (CSCR)

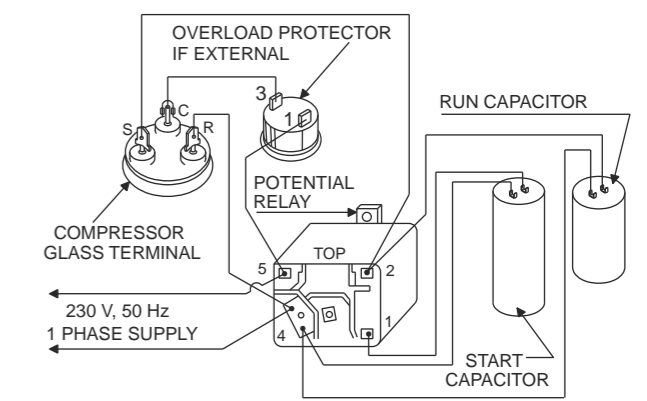


Fig. 4

CAPACITOR START INDUCTION RUN (CSIR)

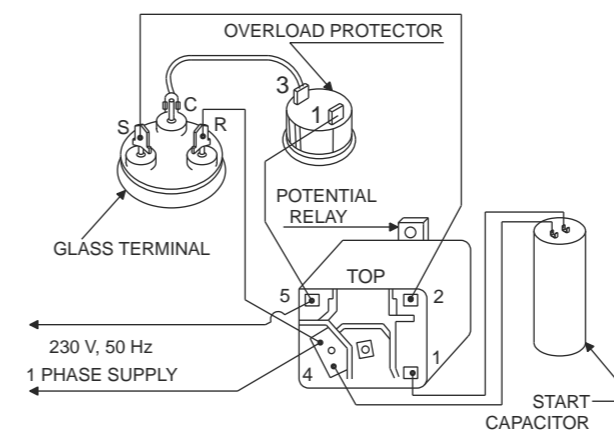


Fig. 5

CAPACITOR START INDUCTION RUN (CSIR) WITH CURRENT RELAY

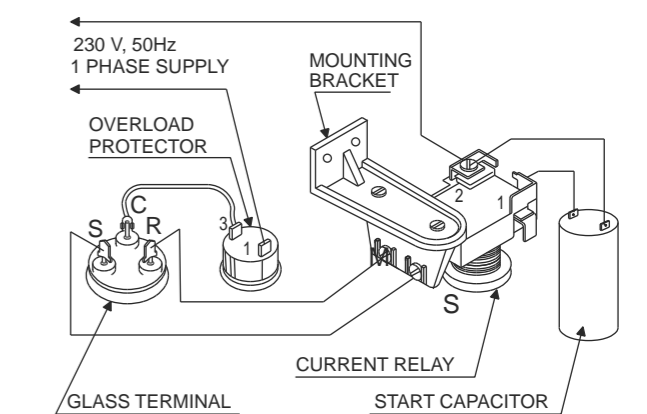


Fig. 6

Wiring Diagrams

CAPACITOR START CAPACITOR RUN (CSCR) WITH PTC

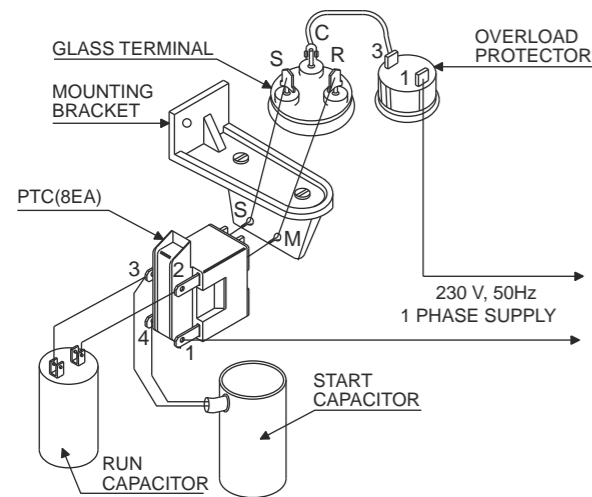


Fig. 7

CAPACITOR START CAPACITOR RUN (CSCR) WITH NTC

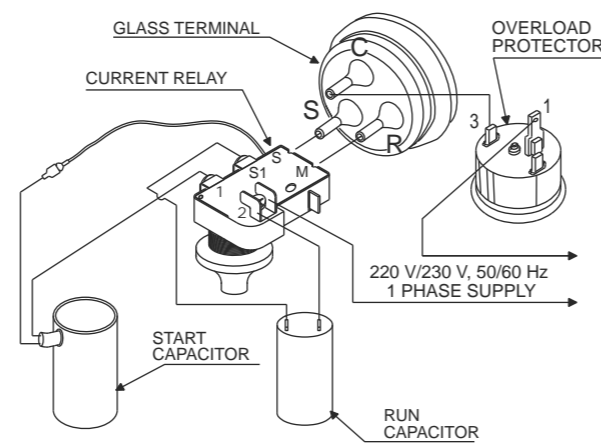


Fig. 8

Guidelines For Achieving Optimum Appliance Performance

Deep Freezer

- Evaporator circuit should be bottom to top
- Minimum 75mm PUF insulation
- Capillary to suction line heat exchanger of 6" improves the performance

Walk-in Cooler

- Proper heat load should be estimated for selecting number of systems.
- Adequate wall and floor insulation with ante room to be provided.
- Initial pull down time will range from 18 to 24 hrs.
- Hot gas defrost method should not be used.
- Use proper capacity strip heaters placed equidistant across the width of evaporator coil.

Softy Ice-cream Machine

- Pre-cooling of softy mix to 4°C should be achieved through separate refrigeration system.
- Compressor cycling should not exceed 6 cycles.

Ice Candy

- Use suction line accumulator of 3" dia x 8" height having oil return orifice.
- Evaporator feeding from bottom to top.
- Use stirrer in brine tank for brine circulation to achieve uniform brine temperature.
- Correct % mix of brine and water is important to achieve desired brine temperature.
- -20°C of brine temperature will ensure 20 minute batch time of hard candies.

Copeland Brand Products are used for several other applications. Above guidelines are apart from system design details. For details contact nearest Emerson Climate Technologies (India) Limited office.

Applications

Low Temperature

- Deep Freezer
- Refrigerator
- Ice Cube machine
- Walk-in Freezer
- Laboratory Appliance

Medium Temperature

- Bottle Cooler
- Visi Cooler
- Display Cabinet
- Pastry Cabinet
- Softy Ice Cream

High Temperature

- Water Cooler
- Oil Coolers / Panel Cooler
- Water Chiller
- Refrigerated Air Dryer
- Walk in Cooler
- Milk Cooler



Model Selection Guide*

Deep Freezer		
Hard Top (Ltr)	Glass Top (Ltr)	Model
300	200	KCN372LAG
400	300	KCN396LAG
450	300	KCN411LAG
450	300	KCJ412LAG
500	400	KCN415LAG
800	-	KCJ423LAG
1100	-	KCJ430LAL
1800	-	KCJ450LAL

Cold Room (+4° C Room Temperature)			
Room Size (cft)	R22	R134a	R404A
500	KCJ513HAE	KCM511CAL	KCJ484CAL
800	CR22K6M	KCM511CAL	KCM511CAL
1200	CR30K6M	KCM514CAL	KCM514CAL
1600	CR30K6M	KCM519CAL	KCM514CAL
2000	CR36K6	KCM522CAL	KCM519CAL
2500	CR42K6	-	KCM522CAL
3000	CR53KQM	-	-
5000	CR62KQM	-	-

Water Cooler		
Capacity (Ltr/Hr)	R22	R134a
20	-	KCE419HAG
40	-	KCE444HAG/ KCJ444HAG
60	KCE461HAE	KCN463HAG/ KCJ467HAG
100	KCJ511HAE	KCJ498HAG
150	KCJ513HAE	KCM511CAL
200	CR22K6M	KCM514CAL
300	CR30K6M	KCM522CAL

* These are preliminary guidelines. The actual compressor selection may differ from the guidelines. Please check the system details before selecting compressor model.

System Practice Guide



Water Chiller			
Flow Rate (Ltr/Hr)	R22	R134a	R404A
600	KCJ513HAE	KCM514CAL	KCJ484CAL
800	CR22K6M	KCM519CAL	KCM511CAL
1000	CR30K6M	KCM522CAL	KCM514CAL
1400	CR36K6	-	KCM519CAL
1600	CR42K6	-	KCM522CAL
2000	CR53KQM	-	-
2400	CR62KQM	-	-
2800	KCG572HAE	-	-

Water inlet temperature : 10° C
Water outlet temperature: 5° C



Bottle Cooler		
Capacity(Ltr)	R22	R134a
100-120	-	KCE419HAG
150-200	-	KCE425HAG/ KCN413CAG
220-250	-	KCE432HAG/KCN416CAG
260-350	KCE443HAE	KCE444HAG/KCJ444HAG
350-500	KCE461HAE	KCN463HAG/KCJ467HAG
600-800	KCJ511HAE	KCJ498HAG



Visicooler	
Case	Model
2 (110 ltr)	KCE419HAG
4 (150 ltr)	KCE425HAG/ KCN413CAG
7 (250 ltr)	KCE432HAG/KCN416CAG
9 (400 ltr)	KCE444HAG/KCJ444HAG
12(650 ltr)	KCN463HAG



Softy Machine	
Capacity (Ltr)	R404A
15	KCM511CAL
20	KCM514CAL
30	KCM519CAL
40	KCM522CAL

System Cleanliness

- It is absolutely necessary that all impurities / contamination like moisture, burr, cleaning agent and chemicals are removed from the system before operation in order to avoid compressor failures.
- All system components have to be de-hydrated and should be Nitrogen charged till they are taken for assembly. Use bright annealed refrigeration grade Copper tubes.
- Use Try-chloro Ethylene for flushing followed by dry air or Nitrogen to remove the trace of Try-chloro Ethylene.

Brazing

- While brazing all the joints purge low pressure Nitrogen through the tube. This will avoid internal oxidation and formation of contamination. Use adequate amount of flux while brazing.
- The joints have to be free from oil and grease before brazing. For Copper to Copper joints use phosphorous Copper as brazing alloy and Copper - Silver for Copper to Steel joints. Oxy Acetylene is best suited for brazing.

Leak Testing

- The system has to be adequately pressurized with dry air or Nitrogen.
- Use of electronic leak detectors is the best way to detect leaks.
- Conventional methods of checking the leaks can also be used.
- Do not pressurize the system with air and R134a.

Evacuation

- Effective evacuation of the system ensures removal of moisture. For achieving desired vacuum level of 200 microns:
- Pull vacuum from both sides
 - Heat the system with bulbs or infra red lamps
 - Use Copper tubes to connect the vacuum pump and the system
 - The connecting Copper tubes have to be short in length and bigger in diameter
 - Use adequately sized two stage rotary vacuum pump having anti-suckback provision
 - Use electronic vacuum gauge to measure the vacuum level
 - Never use a hermetic compressor for evacuation. It is not meant for evacuation and cannot achieve desired vacuum level

Refrigerant Charging

- Quality and quantity of refrigerant immensely influences the performance and reliability of any refrigeration system.
- Refrigerant should be procured from genuine source. Use digital weigh balance during refrigerant charging.
- Maintain a separate set of hoses, tubes, valves for different refrigerants. Do not use anti-choke as it damages the compressor.
- Use pressure temperature chart of refrigerant for achieving optimum system performance.

Compressor Mounting

- Torque the nut adequately and ensure that the washer / bolt head rest on the sleeve and not on the rubber grommet.
- The suction and discharge piping should be properly looped to avoid vibrations and refrigerant leakages. The compressor should not be held rigidly by any means.
- These compressors are not suitable for mobile applications.

Electricals

- Always check the voltage across C & R terminals. Voltage at this point should fall within the prescribed operating voltage range. If the supply voltage conditions are poor, use appropriately sized voltage stabilizer with low, high voltage cutout and On-delay timer.
- Always use genuine electrical accessories supplied by Emerson Climate Technologies.
- Earthing the appliance is necessary from the safety stand point.
- All electrical joints have to be firm and properly insulated.

Attending The Field Complaints

- Verify the field complaint based on facts and observations made through use of proper tools and equipment. Rule out all the possibilities before replacing the compressor. Analyze the compressor independently for its proper functioning.
- Removing of compressor from the system without understanding the root cause will lead to another compressor failure.